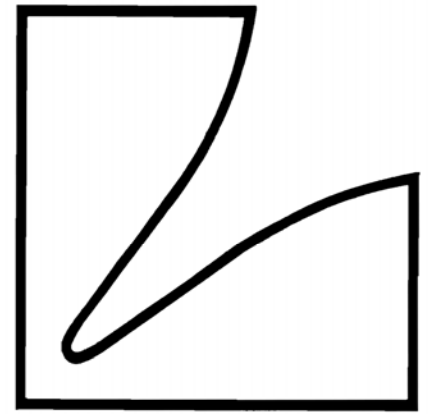
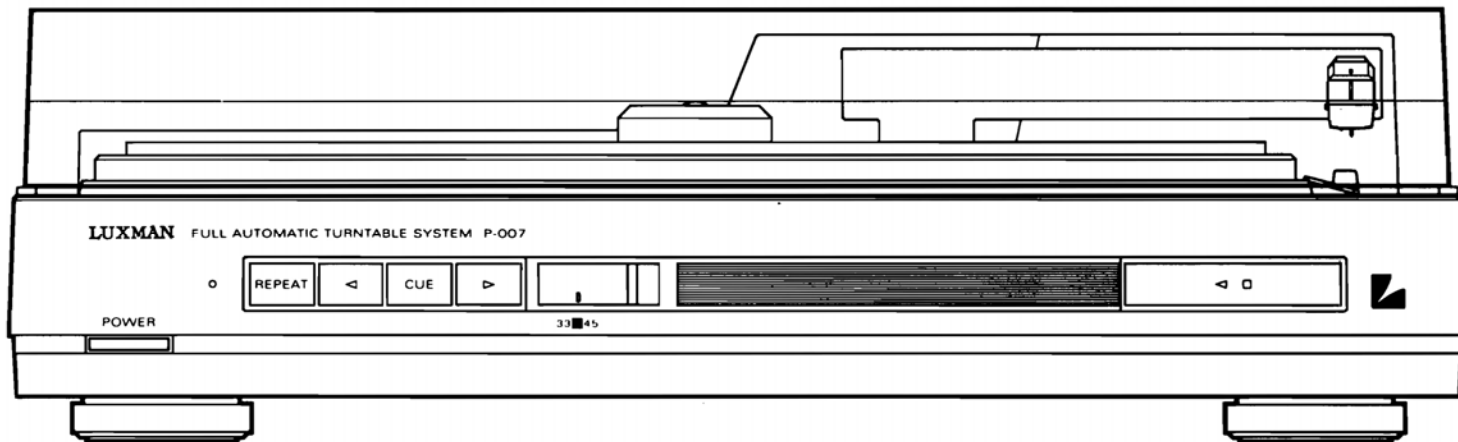


# SERVICE MANUAL



Full Automatic Turntable System

# P-007



---

## Contents

---

Specifications .....	3
Protecting Material for Transport .....	4
Controls & Jacks .....	5
Operation Guidelines .....	6 to 7
Principle of Operation .....	8
Disassembly Instructions .....	8 to 10
Assembly Instructions .....	11 to 12
Adjustment Procedures .....	13 to 14
Trouble Shooting .....	15
仕様 .....	16
動作原理 .....	17
分解方法 .....	17
組立方法 .....	20
調整方法 .....	22
トラブルシューティング .....	24
Parts Layout on P. C. Boards and Wiring Diagram .....	25 to 28
Schematic Diagram .....	29 to 31
Electrical Parts List .....	32 to 33
Packing Assembly Parts List .....	34
Packing Method View .....	34
Cabinet Assembly Parts List .....	35
Exploded View (Cabinet) .....	36 to 37

Additional Schematic Diagram Inserted.

---

# Specifications

## MOTOR SECTION

Type	DC servo motor
Drive system	Belt drive
Speeds	$33\frac{1}{3}$ and 45 rpm
Wow and flutter	0.15% (WRMS)
S/N ratio	57 dB or greater (DIN-B)

## tone ARM SECTION

Type	Linear tracking, dynamically balanced
------	---------------------------------------

## CARTRIDGE SECTION

Type	Dual moving magnet (VM type)
Frequency response	20 to 20,000Hz
Output voltage	$2.5\text{mV} \pm 3\text{dB}$ (1kHz) 3.54cm/sec
Channel separation	16 dB or greater (1kHz)
Load resistance	47k ohm
Compliance	$4 \times 10$ cm/dyne
Stylus	0.6mil (Diamond)
Replacement stylus	CTS873
Stylus pressure	2.5gr

## POWER SUPPLY SECTION/MISCELLANEOUS

Power supply voltage	AC120V (60Hz) (UQ, UC) AC110V, 220V (50Hz) (EK, AD)
Power consumption	10.5W
External dimensions	360 (W) × 103 (H) × 349 (D) mm
Weight	3.1kg

## ACCESSORIES INCLUDED

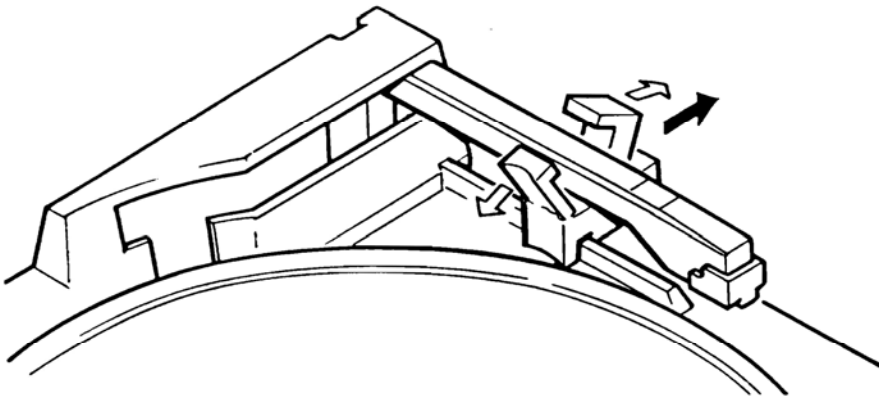
45rpm record adapter	1
----------------------	---

NOTE: Due to continuing product improvement, Specifications and designs are subject to change without notice.

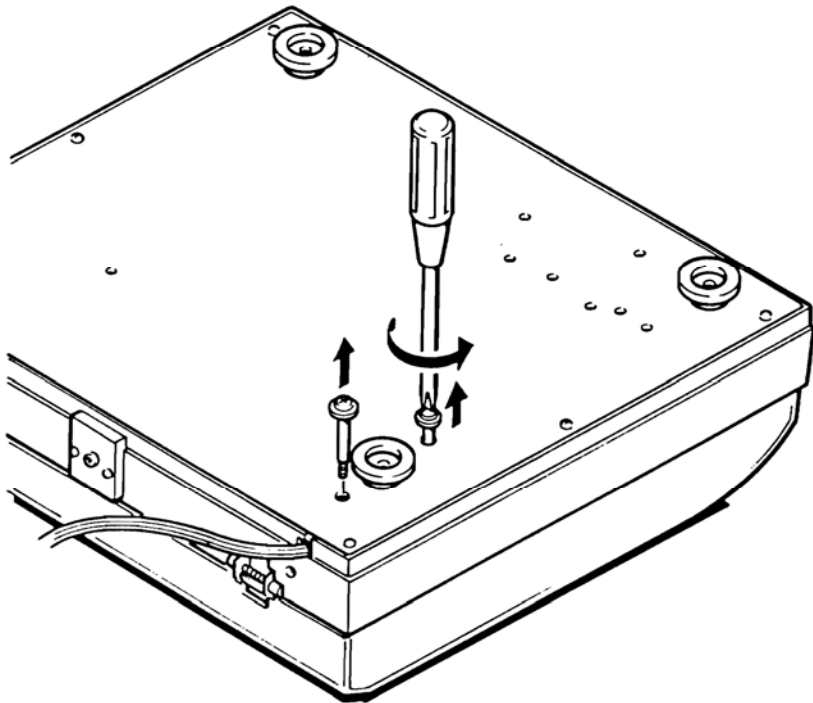
## PROTECTING MATERIALS FOR TRANSPORT

This unit is packed with protecting materials to prevent damage during transport. Remove the protecting materials as follows. After removing, store them for future use.

- (1) Remove the tonearm protecting pad. Attach the dust cover by inserting it into its hinge on the unit.

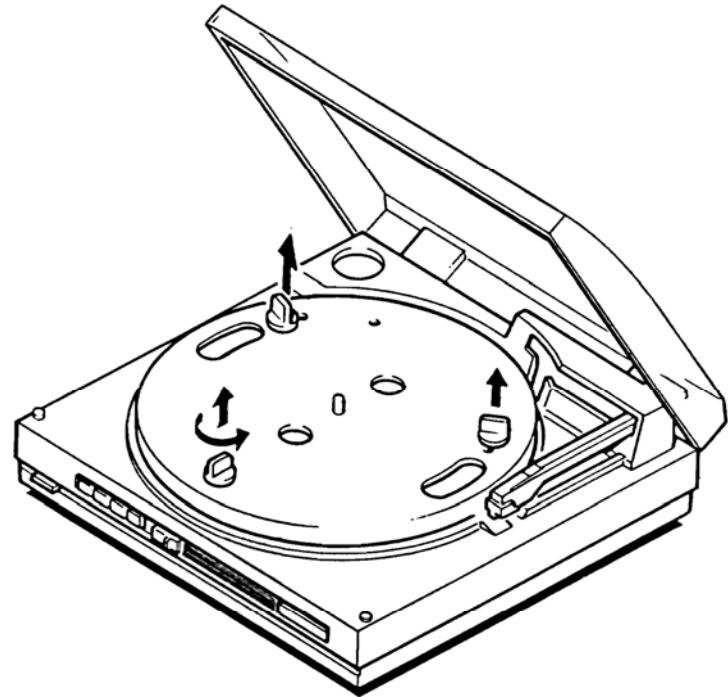


- (2) Put the unit upside-down on a soft cloth. Remove the two red screws.

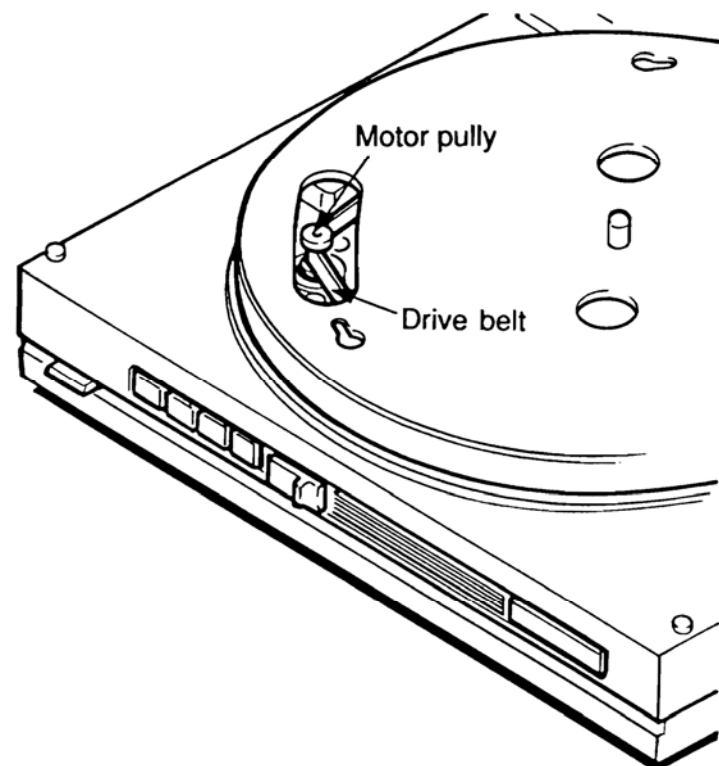


- (3) Turn over the unit and open the dust cover. Remove the three spacers securing the turntable.

**NOTE:** Be sure to proceed in the order (1), (2) and (3). If the unit is turned upside-down after the three spacers have been removed, the turntable will fall off and damage the dust cover.

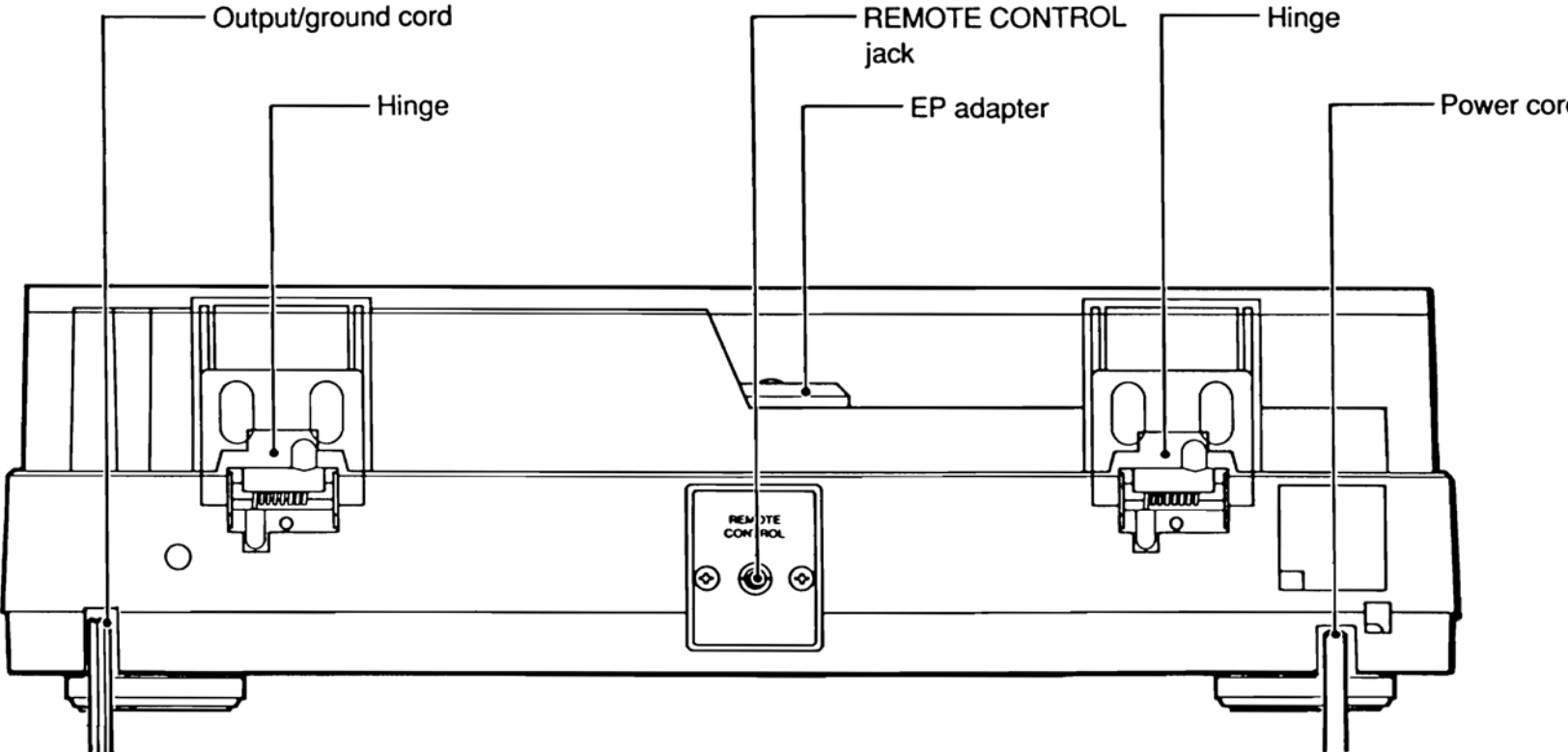
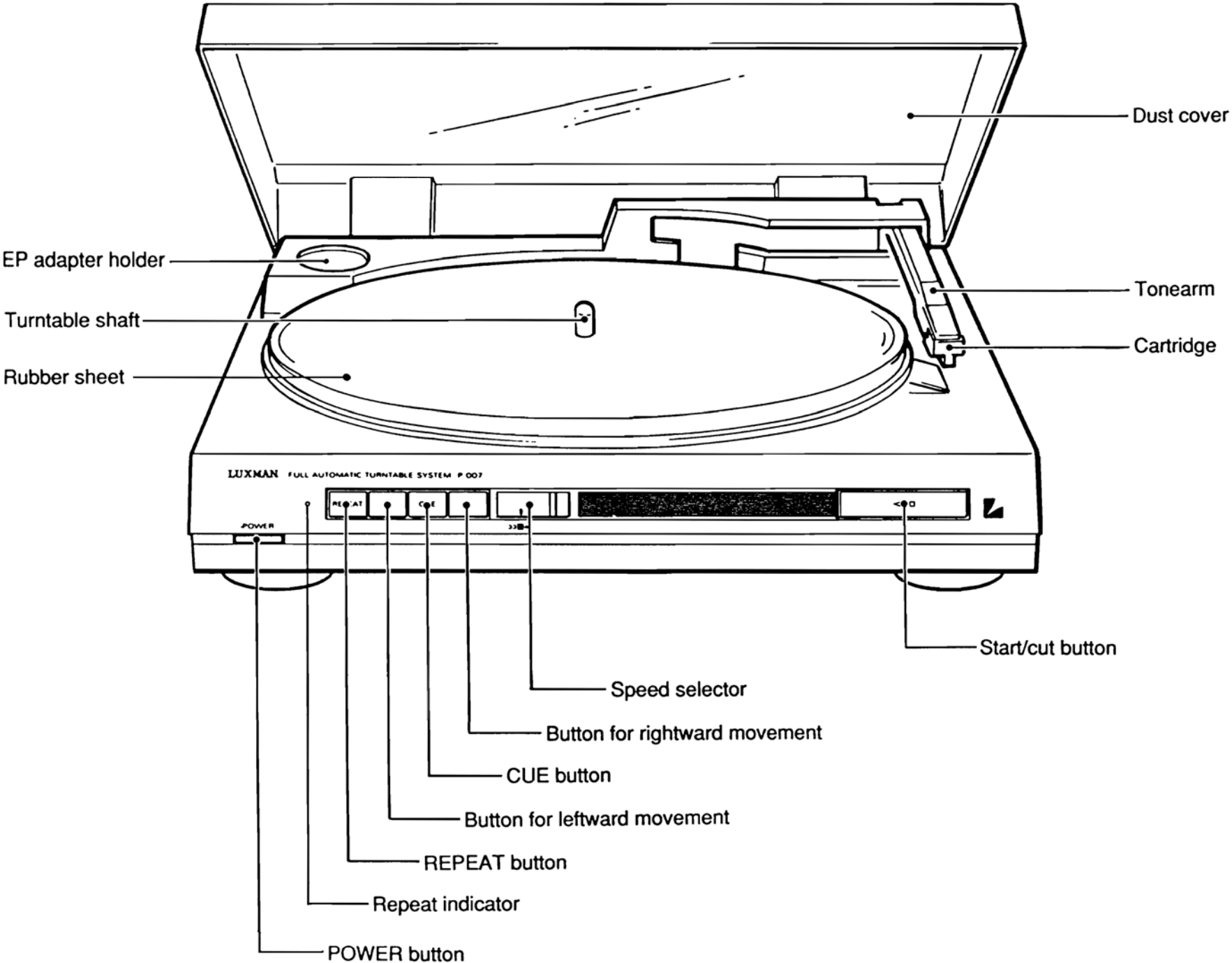


- (4) Pass the drive belt on the motor pulley as shown below.



- (5) Put the rubber sheet on the turntable.  
 (6) Pull and remove the stylus cover from the tonearm.

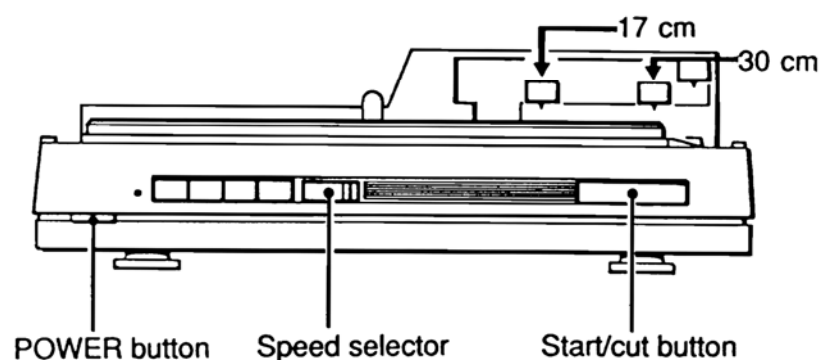
# CONTROLS & JACKS



# OPERATION GUIDELINES

## AUTOMATIC PLAY

- (1) Press the POWER button to turn the power on.
- (2) Place a record on the turntable. To play an EP record, attach the EP adapter.
- (3) Set the speed selector to A (center position).
- (4) Press the start/cut button.  
The unit automatically detects the size and the rotational speed of the record, sets the tonearm and starts playing.



## WHEN PLAY IS COMPLETED

When play is completed, the tonearm is returned automatically. The turntable stops turning.

## TO STOP PLAYING

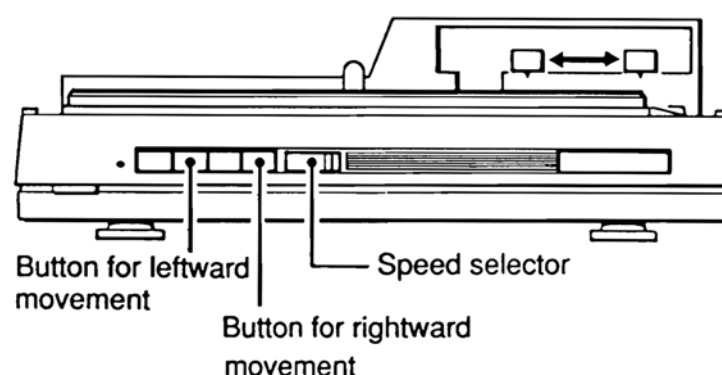
Press the start/cut button. The tonearm returns to the start position. The turntable stops turning.

**NOTE:** The power is not turned off even after the turntable stops turning. When you have finished using the unit, press the POWER button again to turn the power off.

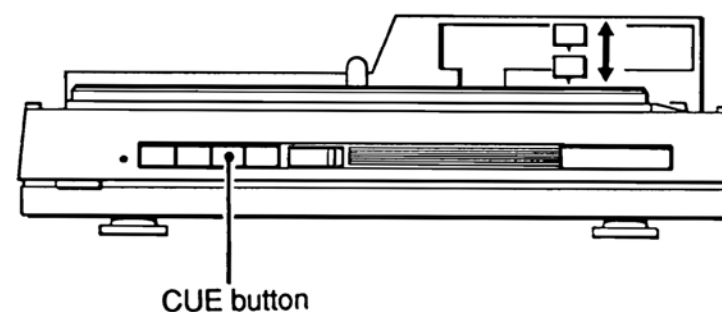
**NOTE:** Close the dust cover during play.

## MANUAL PLAY

- (1) Perform operations (1) and (2) of "Automatic Play".
- (2) Set the speed selector to the desired rotational speed of the record.  
(If it is set to A, the speed is set at 33 turns for manual play.)
- (3) Keep pressing the button for leftward movement to move the tonearm to the left, or the button for rightward movement to move it to the right and set it at the desired position.



- (4) Press the CUE button. The tonearm lowers and play starts.

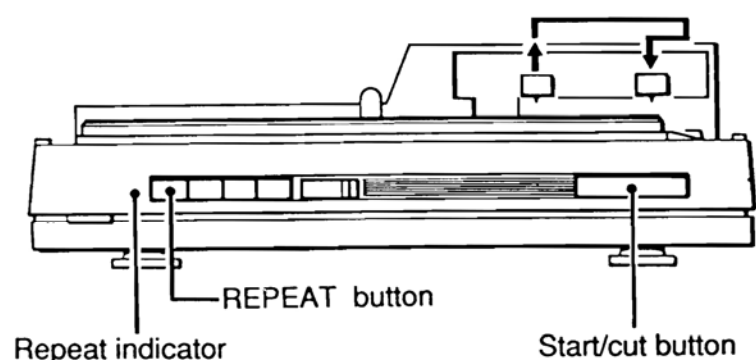


**NOTE:** You can manually move the tonearm between a radius of 60mm and the outer edge of an LP record. Therefore, to return the tonearm, press the start/cut button.

# OPERATION GUIDELINES

## REPEAT PLAY

- (1) Perform operations (1) to (3) of "Automatic Play".
- (2) Press the REPEAT button. The repeat indicator lights up.
- (3) Press the start/cut button.



**NOTE:** Repeat play can be activated during play. To cancel repeating, press the REPEAT button again.

## TO PLAY SPECIAL RECORDS

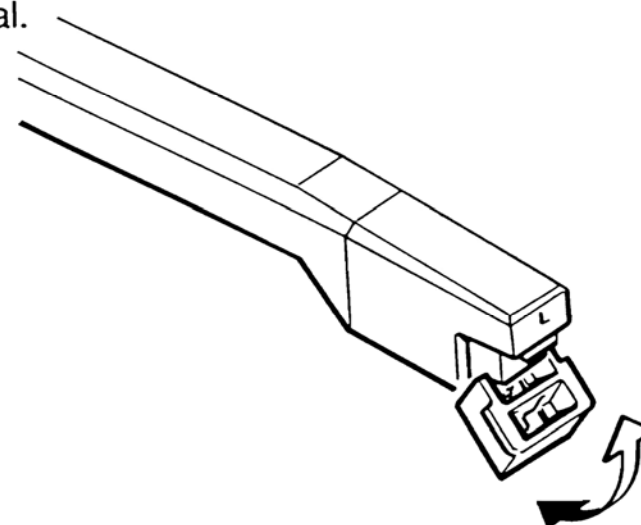
- To play a record of 17cm at 33 turns or a record of 30 cm at 45 turns, set the speed selector to the speed indicated on the record.
- The reflectance of a colored record which transmits light, a transparent record, a sonosheet, etc., are different from that of standard records. Therefore, automatic play may not function. In such cases, manually start playing.
- For records which are square or otherwise not being round, manually start playing. If it is automatically played, the tonearm may lower onto the rubber sheet, and the stylus may be damaged by hitting the record edge.

## TO CHANGE THE SPEED

- Normally set the speed selector to the center position (A). The speed is automatically set according to the record size, 33 turns for 30 cm and 45 turns for 17 cm. When you set the speed selector to 33 turns or 45 turns, the record will turn at the selected speed, disregarding the record size.

## HOW TO REPLACE THE STYLUS

This unit employs a diamond stylus. The stylus life depends on the operating condition, however, replace it after about 500 hours of play in order to avoid damaging your records and to obtain sound of good quality. Pull down the stylus knob at the end of the tonearm, in an arclike movement, and remove the stylus. Securely insert the new stylus in the reverse direction of removal.



**NOTE:** When replacing the stylus, be sure to turn off the power of the amplifier, or to turn the volume to minimum.

If this unit is used together with an L component system, such as the A-007 amplifier, etc., remote control can be performed.

## TO OPERATE BY REMOTE CONTROL

When the start/cut jack of an L component system (A-007) is connected, you can operate the start/cut button of this unit with the RA-007 remote control unit of the A-007 amplifier. For further details, refer to the owner's manual of the A-007 amplifier.

## Principle of Operation

### (A) Automatic Detection of Records

This turntable is equipped with a light sensor on the tone arm. The light sensor is used for the automatic detection of record size and the presence of a record. The light sensor consists of an infrared light emitting diode (LED) and a phototransistor. While the tone arm is moving, the infrared rays from the LED are reflected from the record and detected by the phototransistor. The resultant signal is sent to the microcomputer, which judges that there is a record. This signal also becomes the instruction signal for the record size and rotation speed.

30cm record :  $33\frac{1}{3}$  rpm, 17cm record : 45 rpm

No record : Speed change from  $33\frac{1}{3}$  to 45 rpm, then stops after the search.

### (B) Correction of Tracking Error

The tracking error of the tone arm is detected by the Sensor Photo Unit of the Sensor P. C. Board and the shutter plate mounted on the tone arm. The sensitivity of this sensor (Photo Unit) is adjusted with variable resistor VR1.

Immediately after the tone arm is lowered, it is adjusted so that there is no tracking error, but when an error arises as the stylus moves following the sound groove, the error is corrected by the following procedure.

When a tracking error has occurred, there is a change in the intensity of the light received by the sensor and a current proportional to the intensity of the light flows in the sensor. When correctly adjusted, the tracking error angle is in the vicinity of  $0^\circ$ , and the current value and the angle are in about direct proportion.

The sensor current is converted to voltage and then amplified, the amplified signal being used to rotate the servo control motor (M302).

This rotation is transferred by belt (32) to Worm Gear Assembly (30). The worm gear and the engaging worm wheel gear (26) wind the string (28) which moves Bracket Assembly (17) which in turn supports the tone arm. When the tone arm moves to the point at which the tracking error disappears, the shutter plate cuts off the light to the sensor and the motor stops due to the drop in current and voltage.

The repetition of the above operation permits the tone arm to trace the record groove without tracking error.

## Disassembly Instructions

### (A) Tools Needed for Disassembly

1. Plus screwdriver (  $\oplus$  ) : M3
2. Soldering iron : About 20W

### (B) Removal of Bottom Cover

1. Switch off POWER button (7), disconnect the power cord from the outlet, and remove turntable (34) as shown in Figure 1.

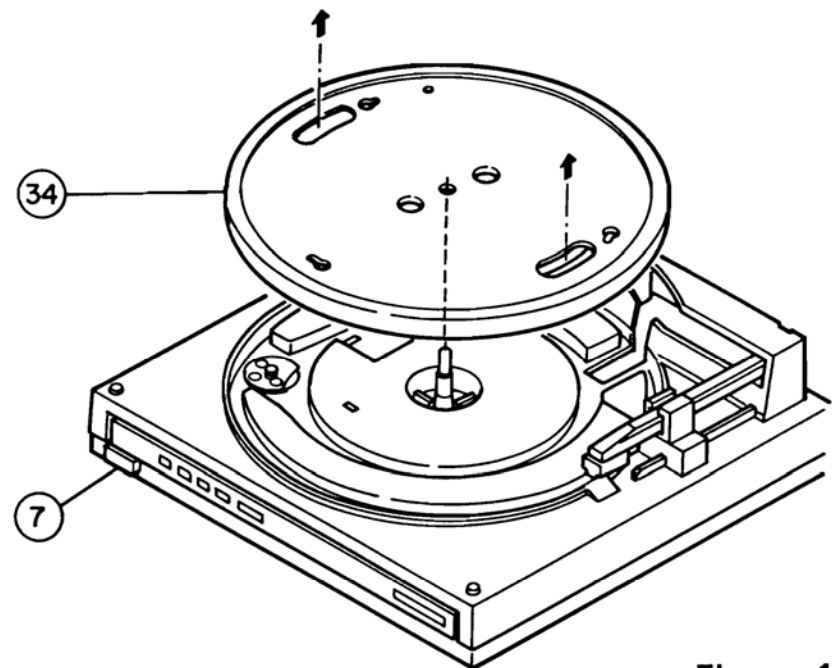


Figure 1

2. Turn over the Main Unit so that the bottom side is facing upward.

**NOTE :** When turning over the Main Unit, use a work stand so that the tone arm is not damaged, or attach the dust cover and place over a soft sheet as shown in Figure 2.

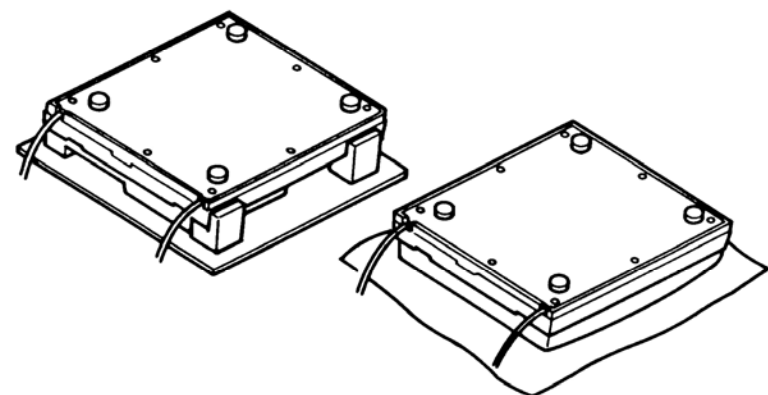


Figure 2



- Remove the 8 screws (43) that fasten the bottom cover and remove the bottom cover as shown in Figure 3.

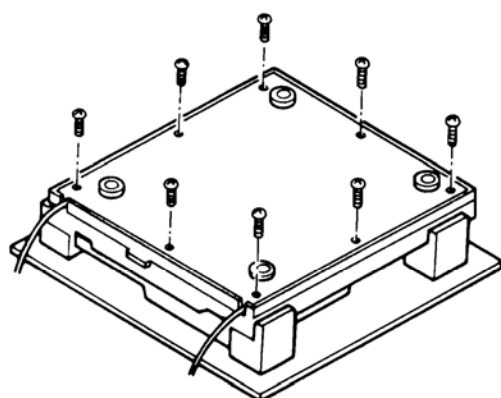


Figure 3

**(C) Removal of Bracket Assembly (17)**

- Remove belt (32), take out the 2 screws (42) that fasten the Bearing Assembly (29), and remove the Bearing Assembly as shown in Figure 4.

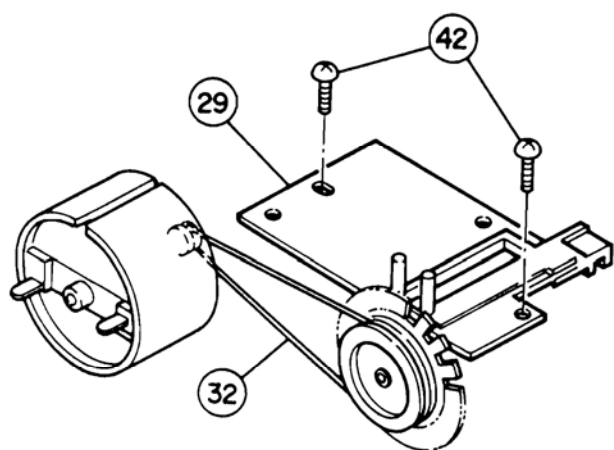


Figure 4

- Remove the string (28) from the pulley (24) and then remove it from the worm wheel gear (26) as shown in Figure 5.

**NOTE :** Be careful not to get the grease from the gear onto the wire.

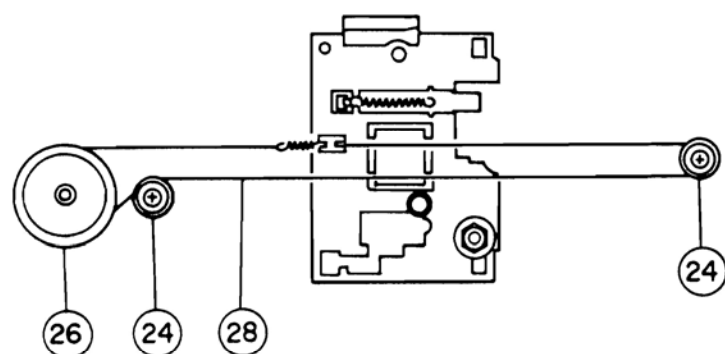


Figure 5

- Take out the 3 fixing screws (40) of the rail (23), remove the rail, then lift up the Bracket Assembly to a position at which the tone arm (HD301) is aligned with the cut out portion of the cabinet opening as shown in Figure 6.

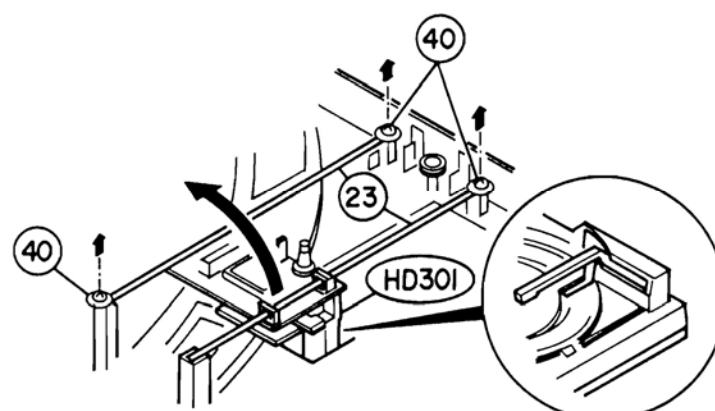


Figure 6

**(D) Removal of the Tone Arm (HD301) (Figure 7)**

- Remove the sheet (22) located above the Sensor P. C. Board which is fastened to Bracket Assembly (17).
- Using a soldering iron, remove the leads coming from the tone arm.
- Remove the 2 screws (39) that fasten the Sensor P. C. Board.
- Remove the solder from the terminal of the solenoid coil (53).
- Remove the Sensor P. C. Board.
- Take off the hexagonal nut (47) and the washer (48), then remove the Tone Arm Assembly (HD301).

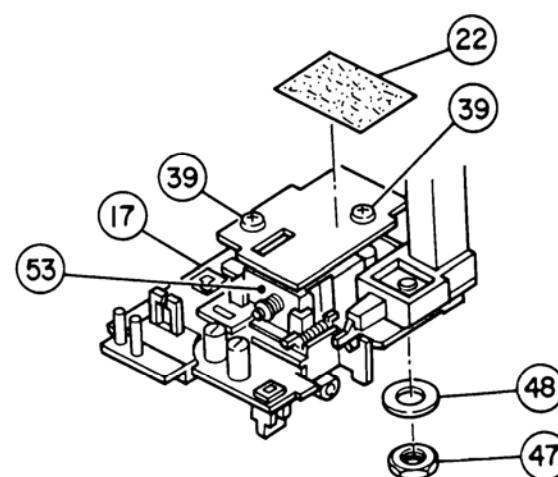


Figure 7

**(E) Removal of Solenoid Coil (53)**

After removing the Sensor P. C. Board, separate the protruding parts used to anchor the solenoid coil of the Bracket Assembly and push out the solenoid coil as shown in Figure 8.

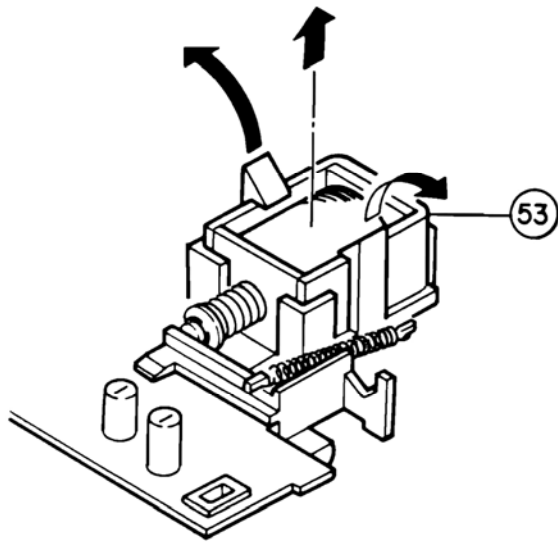


Figure 8

**(F) Removal of Lifter Arm (18)**

1. Remove spring A (21) as shown in Figure 9.
2. Remove spring B (20) and gently remove the lifter arm as shown in Figure 10.

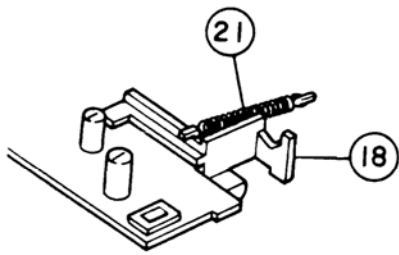


Figure 9

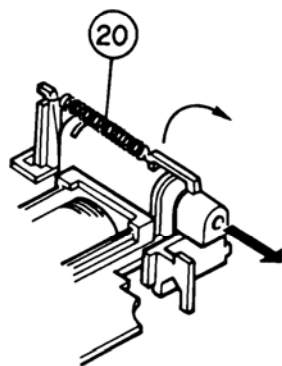


Figure 10

**NOTE :** Lift up the hook portion which attaches to spring B while removing the lifter arm.

**(G) Removal of Worm Gear Assembly (30)**

Lift up the Worm Gear Assembly (30) and remove it as shown in Figure 11.

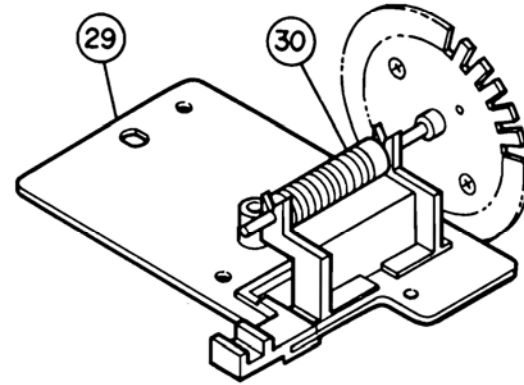


Figure 11

**NOTE :** The Worm Gear Assembly attached to Bearing Assembly (29) is fixed in place by pressing it from above and so care should be taken to apply pressure evenly to each of the anchoring parts when removing it.

**(H) Removal of Photo Motor (M301)**

Turn photo motor (M301) 45° counterclockwise and then remove it as shown in Figure 12.

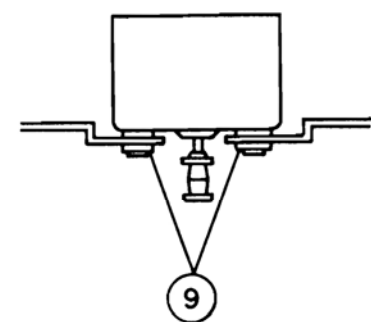
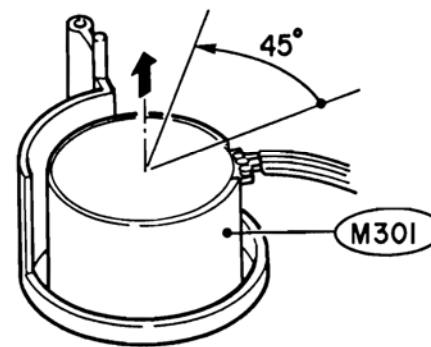


Figure 12

**NOTE :** When installing the motor, arrange the motor cushions (9) so that they sandwich both sides of the cabinet as shown in Figure 12.

# Assembly Instructions

## (A) Assembly of Bracket Assembly (17) (Figure 13)

1. Apply silicon grease to lifter arm (18) and attach to the Bracket Assembly.
2. Attach spring A (21) and spring B (20) to the Bracket Assembly and the lifter arm.
3. Attach the solenoid coil (53). (Insert the spring (19) into the shaft of the solenoid coil.)

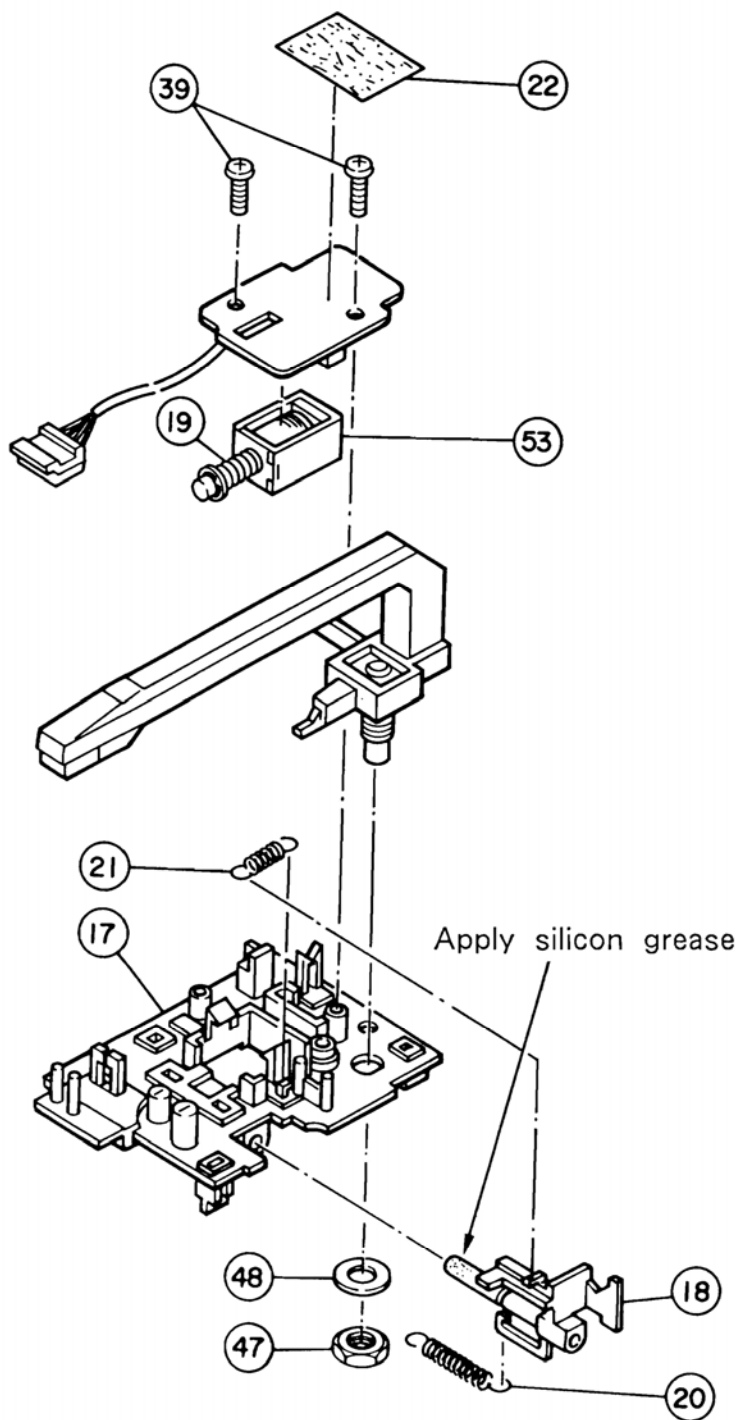


Figure 13

**NOTE :** When attaching the solenoid coil, attach it to the Bracket Assembly while pushing the shaft into the solenoid coil. If not pushed in, the tip of the shaft will hit the lifter arm and attachment of the solenoid coil will not be possible.

4. Attach the tone arm, put on the washer (48), and fasten with the hexagonal nut (47). Pass the leads of the tone arm through the guide parts as shown in Figure 14.

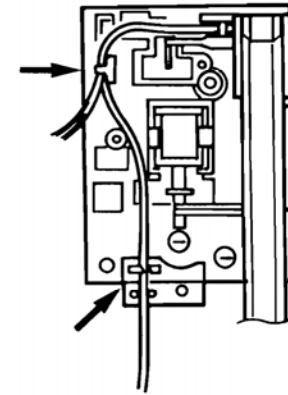


Figure 14

5. Attach the Sensor P. C. Board and fasten in 2 places with screws (39). Pass the leads through the guide pin and fix it with bond as shown in Figure 15.

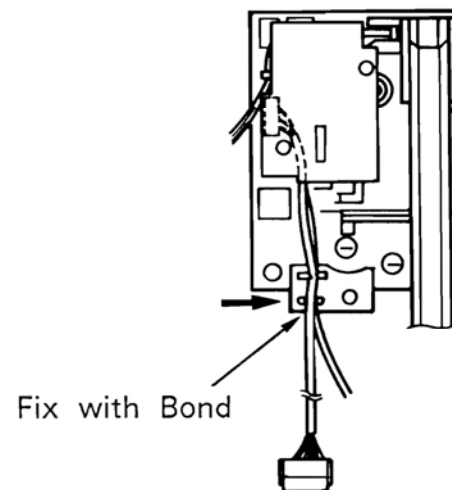


Figure 15

6. Solder the terminal of the solenoid coil to the Sensor P. C. Board.
7. Solder the 3 short leads of the tone arm to the Sensor P. C. Board.

Y : Attach the yellow lead  
 Marking on the Sensor P. C. Board V : Attach the violet lead  
 G : Attach the grey lead

8. Affix the sheet (22) to the Sensor P. C. Board.
9. Connect the long leads of the tone arm (red and grey) and the leads of the Sensor P. C. Board to the Control P. C. Board.

**(B) Assembly of the Bracket Assembly (17)**

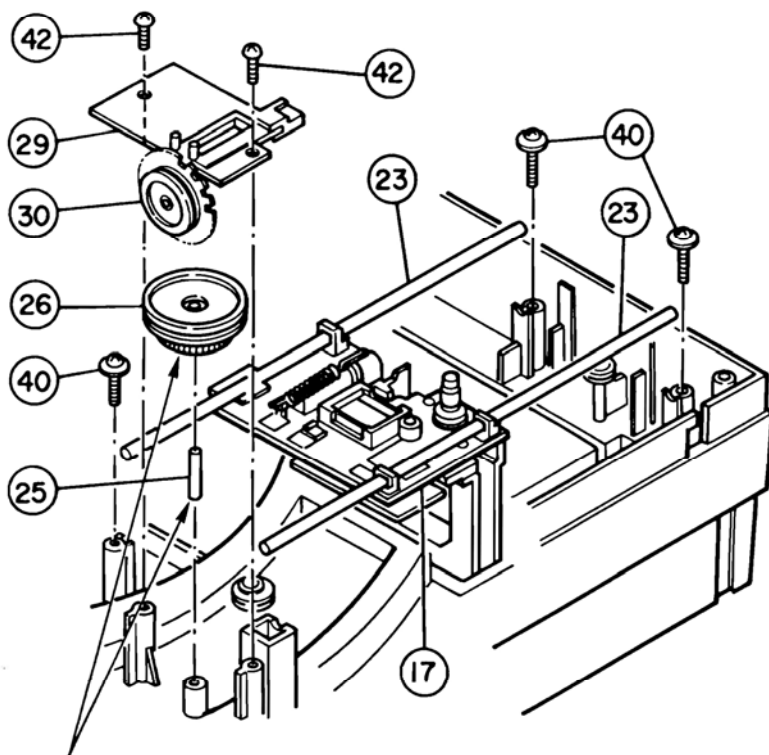
1. After inserting the tone arm into the cut out section of the cabinet, pass the 2 rails (23) through the Bracket Assembly and fasten the rails with the screws (40) (in 3 places).
2. Insert the shaft (25) into the cabinet and attach the worm wheel gear (26).

**NOTE :** Apply a small amount of silicon grease to the gear portions of the shaft and worm wheel gear.

3. Affix the string (28) in the order shown in Figures 17 and 18.

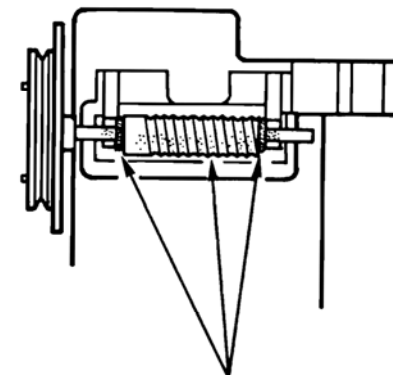
4. Attach the Worm Gear Assembly (30) to the Bearing Assembly (29). Align so that the gear portion of the worm wheel gear (26) engages with the worm gear and fasten to the cabinet with the 2 screws (42).

**NOTE :** When attaching the Worm Gear Assembly to the Bearing Assembly, be sure the washers are positioned between the worm gear and the shaft holder portion on the Bearing Assembly as shown in Figure 19. Apply a small amount of silicon grease to the worm gear.



Apply silicon grease

Figure 16



Apply silicon grease

Figure 19

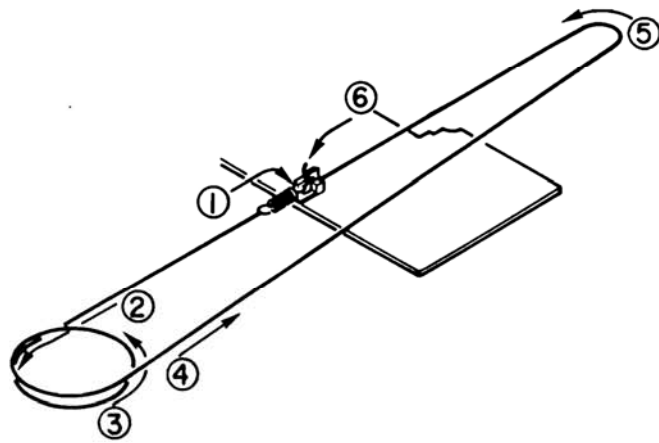


Figure 17

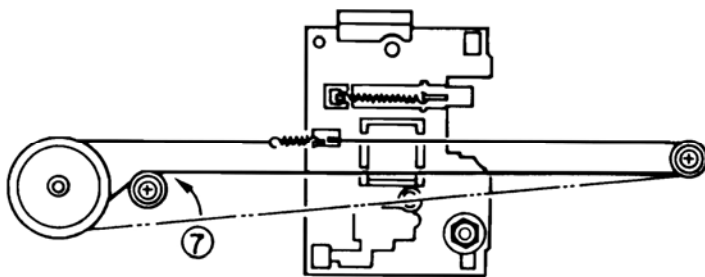


Figure 18

## Adjustment Procedures

### (A) Stylus Height Adjustment

1. Switch on the power and feed the tone arm to a position above the record using manual operation. With the tone arm in the up position, check the height from the record surface to the stylus tip. (Do so with the belt of the turntable removed.) Standard value:  $4 \pm 0.5$ mm from the surface of the record.

If adjustment is required, make the adjustment according to the following outline.

2. Press the PLAY/CUT button and return the tone arm to the rest position.
3. Remove the record and the turntable sheet and align the hole of the turntable so that the adjustment hole on the inside of the cabinet is visible as shown in Figure 20.
4. Using manual operation, feed the tone arm and align the eccentric pin used for adjustment of the Bracket Assembly with the adjustment hole of the cabinet.
5. Turn and adjust eccentric pin (A) on the left side from the adjustment hole of the turntable.

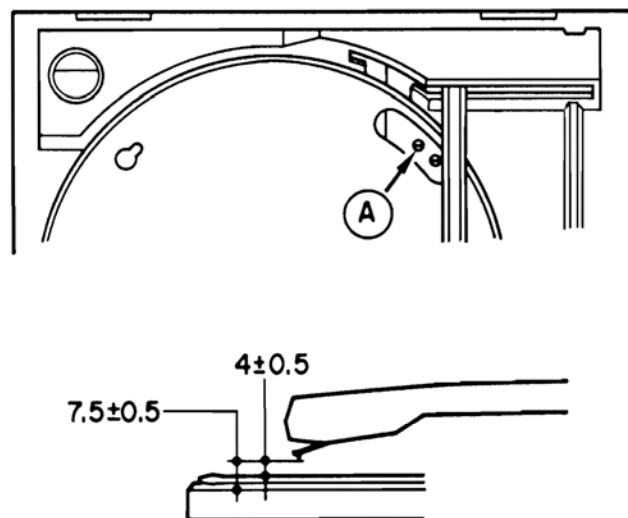


Figure 20

### (B) Tracking Error Adjustment

1. Remove the bottom cover according to disassembly instruction (B).
2. Insert the test connector to the 5-pin plug (CN4) of the Control P. C. Board and connect a DC voltmeter between TP1 and TP5 of the test connector as shown in Figure 21.

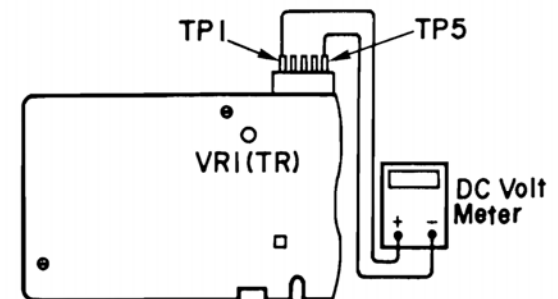


Figure 21

3. Play a record and press the CUE button part way through to raise the tone arm.
4. Using a minus screwdriver, adjust variable resistor VR1 (TR marking) so that the voltmeter indicates 0.55 to 0.5V.
5. Play the lead-in detection record (RG325) and check the amount of cuing shift.

#### <Check Procedure>

Play the portion containing the count from the beginning. Press the CUE button at a position of about 10 counts to raise the tone arm.

Press the CUE button again and check the count value immediately after the tone arm has come down. The difference between the value immediately preceding the rise of the tone arm and the value immediately after the tone arm has come down is the value of the cuing shift. The specification value is from +2 to -7 counts.

(Example) Count value immediately preceding the rise : 10

Count value immediately after lowering : 8

Cuing shift :  $8 - 10 = -2$

When adjustment is necessary, adjust VR1 further so that there is less cuing shift.

(For a change of 0.1V, the cuing shift changes by about 3 counts.)

**(C) Record Sensor Sensitivity Adjustment**

※Check the stylus height before this adjustment and, if necessary, adjust so that it comes within the specification.

1. Remove the bottom cover according to disassembly instruction (B).
2. Insert the test connector to the 5-pin plug (CN4) of the Control P. C. Board and connect a DC voltmeter between TP3 and TP5 of the test connector as shown in Figure 22.

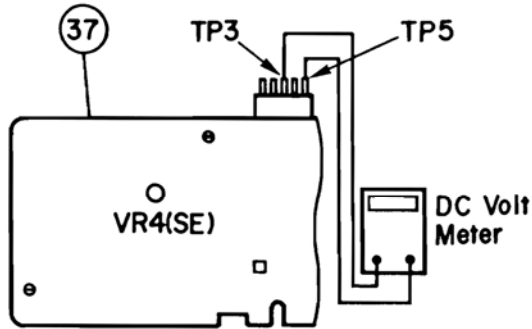


Figure 22

3. Set the turntable and turntable sheet and place the test record RG325 in position. (Remove the turntable belt from the pulley.) Press the left feed button to move the tone arm so that the stylus tip is positioned between the grooves of the large pitch (5mm pitch) of the test record as shown in Figure 23.

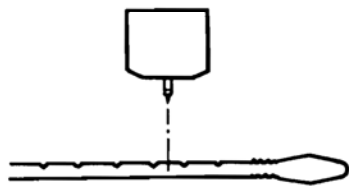


Figure 23

4. Using a minus screwdriver, adjust variable resistor VR4 (SE marking) so that the voltmeter indicates  $5 \pm 0.4V$ .

**(D) Lead-in Position Adjustment**

1. Switch off the power switch.
2. Insert the test connector to the 5-pin plug (CN4) of the Control P. C. Board and short-circuit TP4 and TP5 of the test connector as shown in Figure 24.

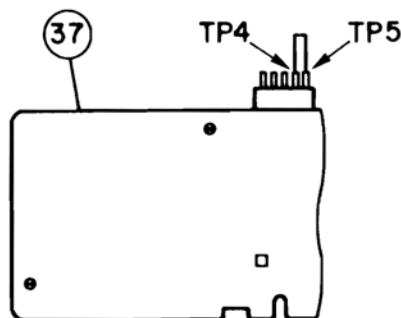


Figure 24

※The reason for shorting TP4 and TP5 is to set the microcomputer to the test mode. In the test mode, only a 30cm lead-in operation and a cut operation are possible.

3. Switch on the power, place test record RG325 on the turntable, press the PLAY/CUT button, and check the value of the lead-in count. Specification value :  $20 \pm 5$  counts

If the setting is off, turn and adjust eccentric pin (B) used for adjustments of the unit plate as shown in Figure 25.

The adjustment procedure is the same as Steps 2 to 5 of (A).

4. After making the adjustment, switch off the power switch and then remove the test connector.

**NOTE :** If the test connector is removed with the power switch left on, the test mode will not be cancelled ; therefore, for normal play, be sure to switch the power off once and then switch the power switch on again.

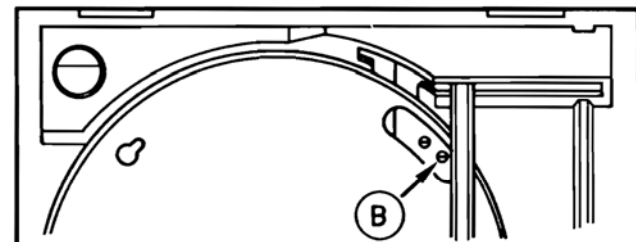


Figure 25

**(E) Rotation Speed Adjustment**

Variable resistors VR2 and VR3 are adjusted by turning them with a minus screwdriver from the hole of the bottom plate. The procedure given below should be followed.

Set the speed control (S7) to "45" and first perform the 45 rpm adjustment, then set it to "33" and perform the 33 rpm adjustment.

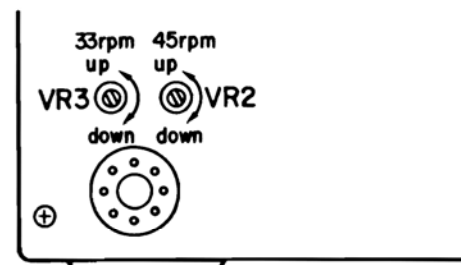


Figure 26

# Trouble Shooting

## 1. A return is made without lead-in

Check the lead-in count according to adjustment procedure (D).

- **Count is off** : Readjust according to adjustment procedure (D).
- **Count is within specification** : Check the voltage of IC3 pin 12. Set the record, feed the tone arm to the left, and with the tone arm above the record, check whether the voltage of IC3 pin 12 fluctuates.
- **No fluctuation** : The record sensor of the tone arm is faulty. Replace the tone arm.
- **Fluctuation** : Check the sensitivity of the record sensor with adjustment procedure (C).

### Check of the sensitivity of the record sensor

- **The voltage value of the sensitivity is off** : The filter of the record sensor section at the end of the cartridge is dirty, or the adjustment is off. Remove the stylus of the cartridge and wipe the filter of the sensor section. If the voltage is off, readjust according to adjustment procedure (C).
- **The sensitivity voltage is appropriate** : Faulty IC3.  
**NOTE** : When the lead-in section is dirty or scratched, the auto lead-in will not operate on records with low reflection and so lead-in should be done manually.

## 2. There is no lead-in and no return

Operate the turntable and measure the voltage of the number 3 side of JP1 on the Control P. C. Board with an oscilloscope.

- **A pulse (0V to 12V) is generated** : Q17 or IC2 is faulty, or the mini switch (S301) is short circuited.
- **A pulse is not generated** : Faulty Photo Unit or broken jumper (JP1) line.
- **Voltage of the pulse is low** : Check the power supply voltage.

## 3. There is a lead-in but the tone arm does not go down

Make the tone arm lead-in to the record and check the voltage of the number 1 side of the 7-pin plug (CN1) after the tone arm has stopped above the record.

- **0V** : Faulty Q5 or Q4, or faulty solenoid coil.
- **7V** : Spring (21) is off, or there is poor rotation of lifter arm (18).

## 4. The tone arm goes down outside of the record at lead-in time

Make a check of the record sensor sensitivity and the lead-in position using adjustment procedures (C) and (D).

- **Adjustment is off** : Readjust according to adjustment procedures (C) and (D).
- **Adjustment is appropriate** : The extraneous light is too strong or IC3 is faulty.

## 5. The stylus drop position comes close to the inside or the outside.

Readjust the lead-in position with adjustment procedure (D).

## 6. The stylus tip catches the sound groove of the record and rises

Following adjustment procedure (B), check the tracking error and readjust.

## 7. The stylus drops diagonally at the time of the tone arm drop

Check for deformation of the lifter arm (18).

- **Deformed** : Replace the lifter arm.
- **Not deformed** : The leads of the tone arm are pulling and should be loosened.

## 8. There is no sound from the speakers

Measure the resistance values of the signal side and ground side of the output cord plug (E301).

- **0 ohms** : Faulty Control P. C. Board circuit, or shorting of the output cord, or faulty Q11 and Q12.
- **No conduction** : Faulty audio output circuit, or broken shielded wire, or faulty cartridge.

## 9. Muting does not function when the stylus tip is going up

Check that the voltage of pin 10 of IC1 changes to 5V when the stylus tip is up and 0V when the stylus tip is down.

- **Changes** : Q11 or Q12 is faulty, or the ground wire is not connected to the amplifier.
- **Does not change** : IC1 is faulty.

## 10. The stylus tip does not move to the inside after it has been lowered

Check whether the voltage of IC3 pin 3 changes when the record is played.

- **Changes** : Faulty IC3 or Q10.
- **Does not change** : Faulty photo unit, or a break in the 7-pin Connector Assembly (CN301).

## 仕 様

## &lt; モーター部 &gt;

型式	.....	DC サーボモーター
駆動方式	.....	ベルト・ドライブ
回転数	.....	$33\frac{1}{3}$ 、45rpm
回転ムラ	.....	0.15% (WRMS)
S/N比	.....	57dB以上 (DIN-B)

## &lt; トーンアーム部 &gt;

型式	.....	リニアトラッキング方式 ダイナミックバランス型
----	-------	----------------------------

## &lt; カートリッジ部 &gt;

型式	.....	デュアルムービングマグネット型 (VM型)
周波数特性	.....	20~20,000Hz
出力電圧	.....	2.5mV±3dB (1kHz) 3.54cm/sec
チャンネルセパレーション	.....	16dB以上 (1kHz)
負荷抵抗	.....	47kΩ
コンプライアンス	.....	$4 \times 10^{-6}$ cm/dyne
針先	.....	0.6mil (ダイヤモンド)
交換針	.....	CTS873
針圧	.....	2.5gr

## &lt; 電源部・その他 &gt;

電源電圧	.....	AC100V (50Hz・60Hz共用)
消費電力	.....	10.5W
外形寸法	.....	360 (W) × 103 (H) × 349 (D) mm
重量	.....	3.1kg

## &lt; 附属品 &gt;

45回転EPレコード用アダプター	.....	1
------------------	-------	---

本機の規格および外観は改良のため変更することがありますのでご了解ください。



## 動作原理

### (A) レコード盤自動検出

このプレーヤーは、トーンアームに光センサーを装備しておりレコード盤のサイズおよび有無を自動的に検出します。

光センサーは、赤外線発光ダイオードと、フォトトランジスタから成っています。アームの移動中に、発光ダイオードから出た赤外線がレコード盤により反射され、フォトトランジスタで感知されると、その信号はマイクロコンピュータに伝達されレコードありと判断され、さらにレコードサイズや回転スピードの指令信号ともなります。

30cm レコード盤 : 33 $\frac{1}{3}$ rpm, 17cm レコード盤 : 45rpm

レコード盤なし : 33 $\frac{1}{3}$ rpm → 45rpm で回転 / サーチ後停止

### (B) トラッキングエラーの修正

トーンアームのトッキングエラーは、センサー P. C. Board のセンサー用フォトユニット及び、トーンアームに装備されたシャッター板によって検出され、このセンサー（フォトユニット）の感度は半固定抵抗（VR1）で調整します。トーンアーム降下直後は、トラッキングエラーのない状態に調整されていますが、針先が音溝に従い移動してエラーが発生した場合には、以下の手順で修正されます。

トラッキングエラーが発生した場合、センサーが受ける光の強さが変化し、センサーには光の強さに比例した電流が流れます。正しく調整された時はトラッキングエラー角が0°付近で電流値と角度はほぼ正比例します。

センサーの電流は、電圧に変換されてから増幅され、増幅された信号がサーボコントロールモーター（M302）を回転させます。この回転はベルト（32）により、ウォームギヤ Ass'y（30）に伝達され、ウォームギヤと噛み合うウォームホイールギヤ（26）がストリング（28）を巻き込むことによって、トーンアームを支えているブラケット Ass'y（17）を移動させます。トラッキングエラーがなくなる点までトーンアームが移動すると、シャッター板がセンサーへの光を遮断し、電流と電圧が低下するためモーターは停止します。

以上の動作が繰り返されることにより、トーンアームはトラッキングエラーなしにレコードの溝をトレースします。

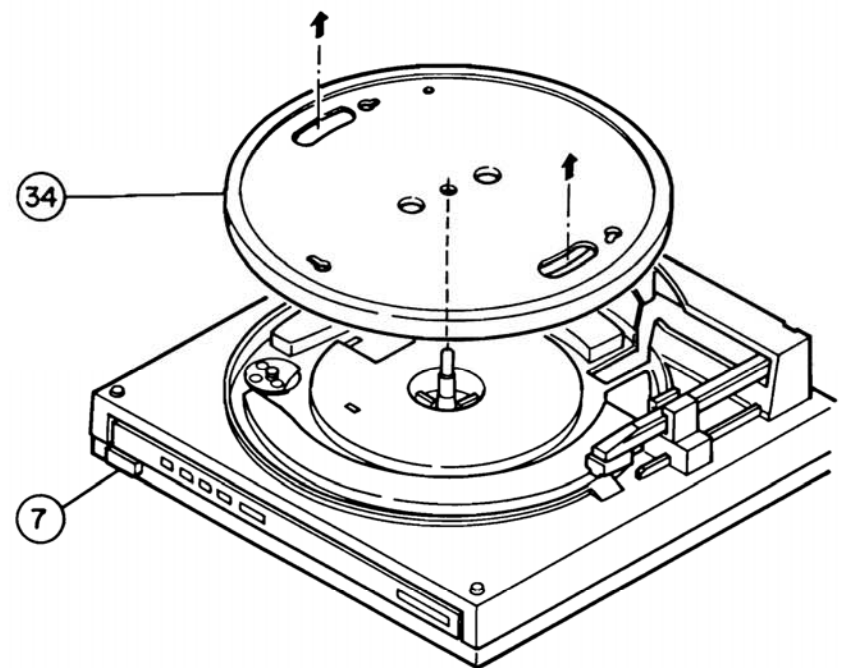
## 分解方法

### (A) 分解に必要な器具

1. プラスドライバー（ $\oplus$ ）：M3
2. ハンダコテ：20W程度

### (B) 底蓋のはずし方

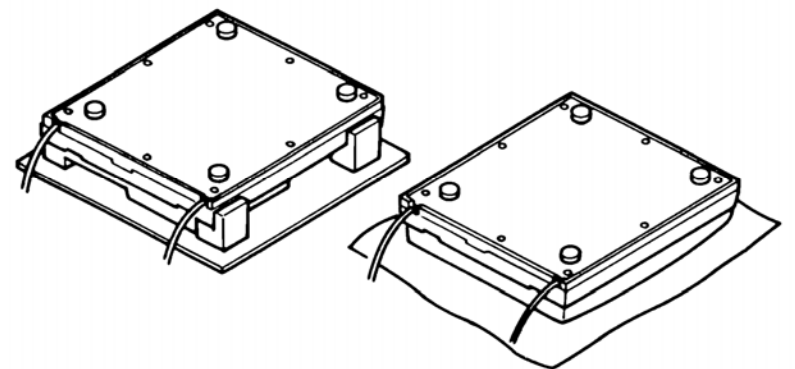
1. POWERボタン（7）をOFFにして、電源コードをコンセントから抜き、ターンテーブル（34）をはずします。（1図）



<1図>

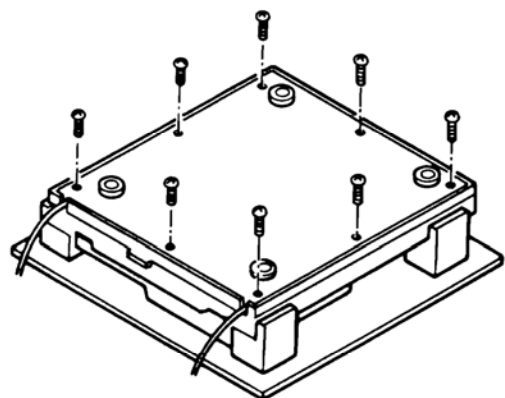
2. 本体を裏返し、底面を上向きにして置きます。

注意 本体を裏返して置く場合は、トーンアームが損傷しないように作業台を使用するか、または、ダストカバーを装着し、やわらかいシートを敷いた上に置くようにして下さい。（2図）



<2図>

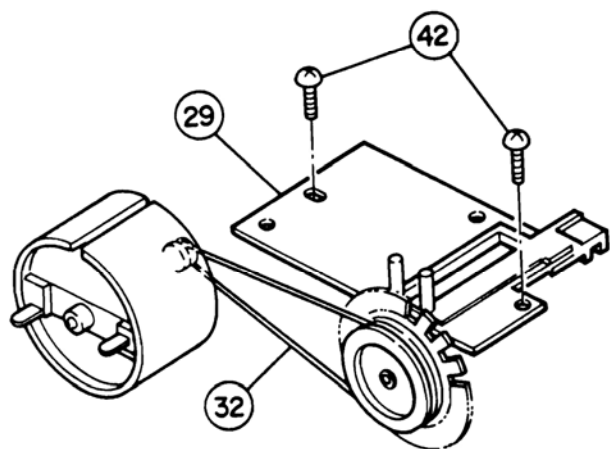
3. 底蓋をとめているネジ (43) 8本をとり、底蓋をはずします。(3図)



<3図>

(C) ブラケット Ass'y (17) のはずし方

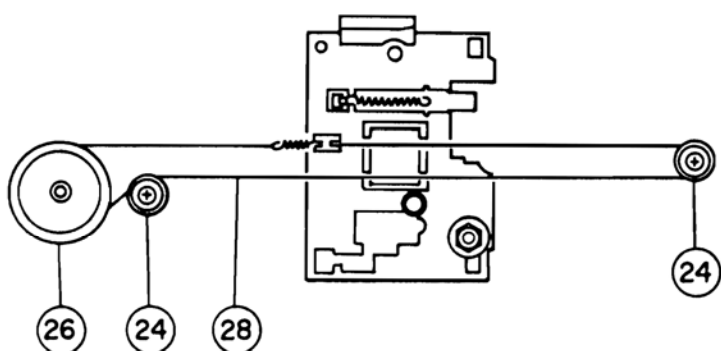
1. ベルト (32) をはずし、軸受 Ass'y (29) を固定しているネジ (42) 2本を取り、軸受 Ass'y を取りはずします。(4図)



<4図>

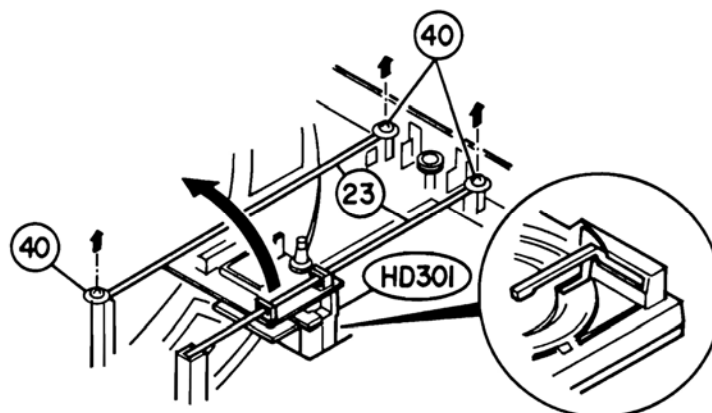
2. スtring (28) をプーリー (24) からはずし、さらに、ウォームホイールギヤ (26) からはずします。(5図)

注意 ワイヤーにホイールギヤのグリスが付着しないように注意して下さい。



<5図>

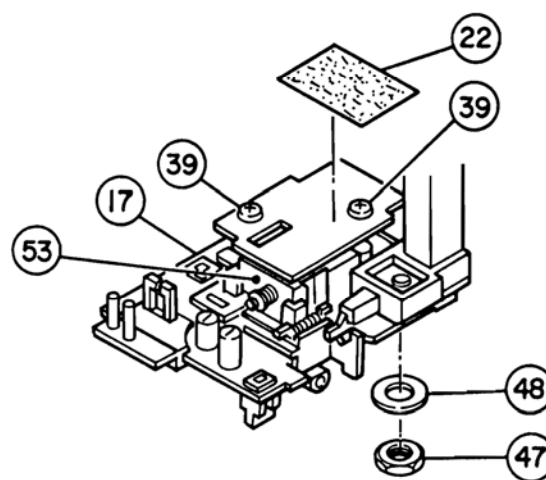
3. レール (23) の固定用ネジ (40) 3本をとり、レールをはずしてからブラケット Ass'y をトーンアーム (HD301) がキャビネット開口部の切欠部と一致する位置まで移動させ引き上げます。(6図)



<6図>

(D) トーンアーム (HD301) のはずし方 (7図)

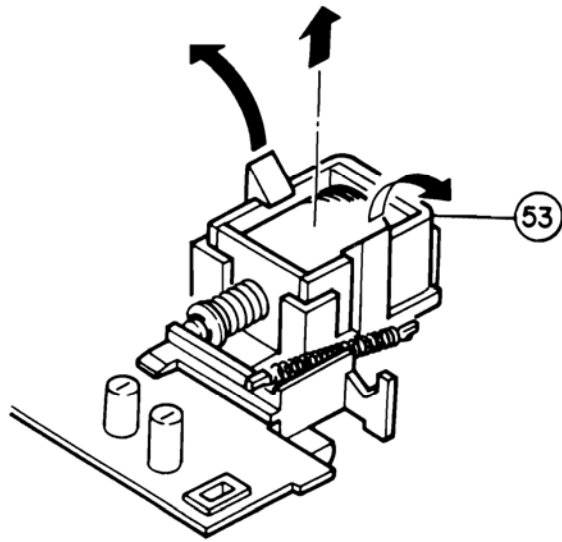
1. ブラケット Ass'y (17) に固定されているセンサー P. C. Board の上のシート (22) をはがします。
2. トーンアームから出ているリード線をハンダゴテを使用して取りはずします。
3. センサー P. C. Board を固定しているネジ (39) 2本をはずします。
4. ソレノイドコイル (53) の端子のハンダを取ります。
5. センサー P. C. Board を取りはずします。
6. 六角ナット (47) および、ワッシャ (48) をとり、トーンアーム Ass'y (HD301) をはずします。



<7図>

## (E) ソレノイドコイル (53) のはずし方

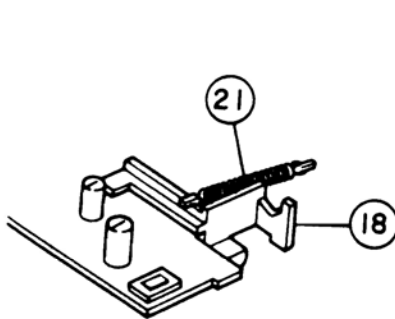
センサー P. C. Board をはずしたあと、ブラケット Ass'y のソレノイドコイル固定用の突起部分を広げて、ソレノイドコイルを押し出します。(8図)



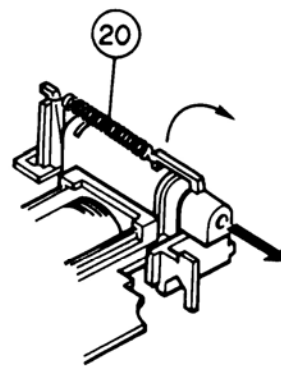
&lt;8図&gt;

## (F) リフターアーム (18) のはずし方

1. スプリング A (21) をはずします。(9図)
2. スプリング B (20) をはずし、リフターアームを静かに抜きます。(10図)



&lt;9図&gt;

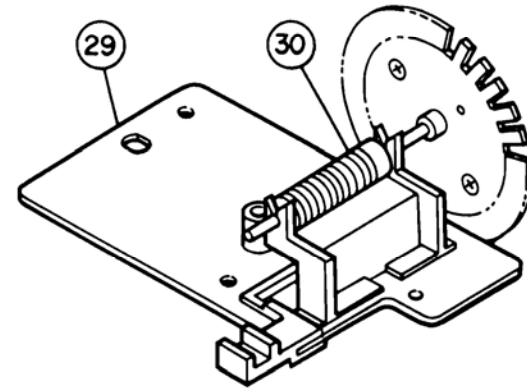


&lt;10図&gt;

注意 リフターアームを抜くときは、スプリング B を掛けるフックの部分を持ち上げながら抜いて下さい。

## (G) ウォームギヤ Ass'y (30) のはずし方

ウォームギヤ Ass'y (30) を上に引き上げてとりはずします。(11図)

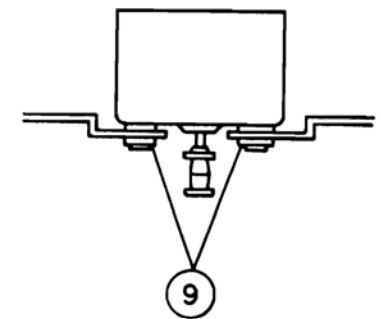
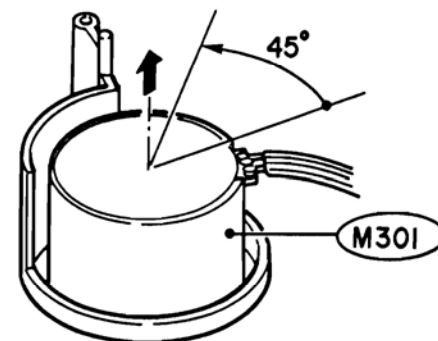


&lt;11図&gt;

注意 軸受 Ass'y (29) に付いているウォームギヤ Ass'y は、上から押し込むことによって固定されていますので、取り外す際には、各固定部に力が均等に加わるように注意して下さい。

## (H) フォノモーター (M301) のはずし方

フォノモーター (M301) を左に 45° 回転させてからはずします。(12図)



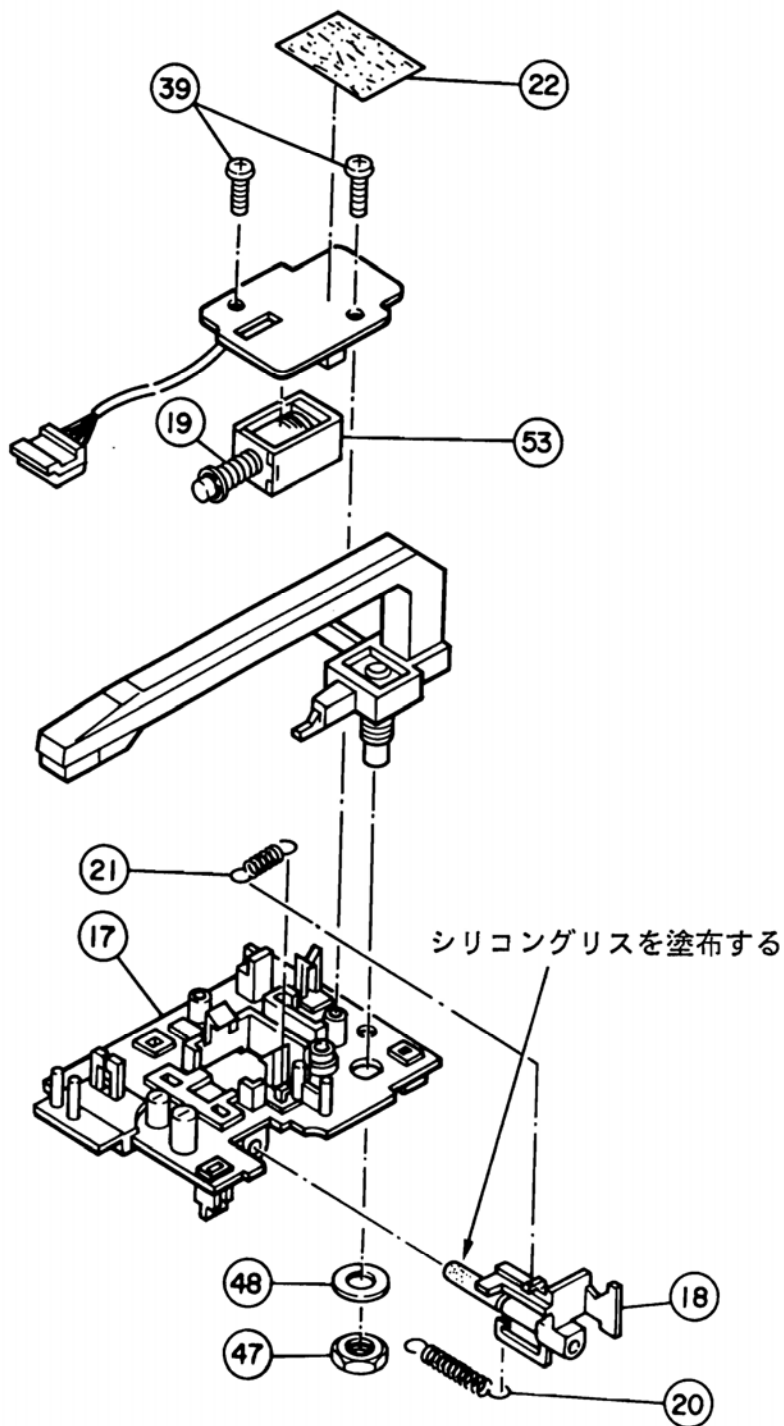
&lt;12図&gt;

注意 モーターを取り付けるときは、モーターのクッション (9) が図のようにキャビネットをはさみ込むようにして下さい。

## 組立方法

## (A) ブラケット Ass'y (17) の組み立て方 (13図)

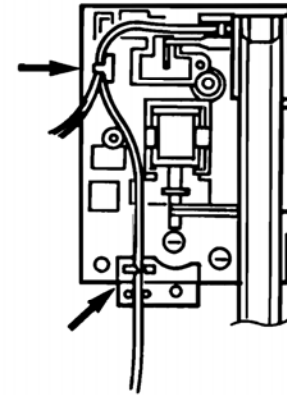
1. リフターアーム (18) に、シリコングリスを塗布し、ブラケット Ass'yに取り付けます。
2. スプリング A (21)、スプリング B (20) をブラケット Ass'yと、リフターアームに取り付けます。
3. ソレノイドコイル (53) を取り付けます。(ソレノイドコイルのシャフトにはスプリング (19) を入れておきます)



&lt;13図&gt;

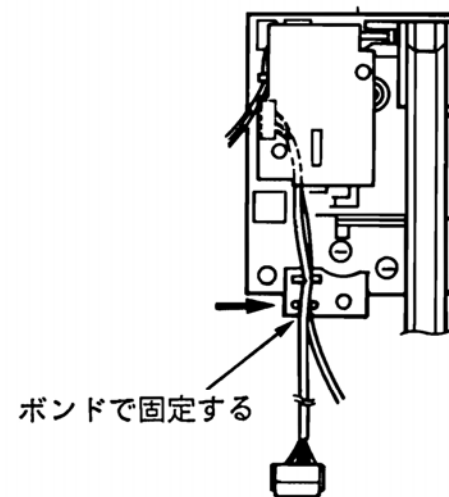
**注意** ソレノイドコイルを取り付けるときは、シャフトをソレノイドコイルの中に押し込みながら、ブラケット Ass'yに取り付けて下さい。押し込まないと、シャフト先端がリフターアームに当たり、ソレノイドコイルを取り付けることができません。

4. トーンアームを取り付け、ワッシャ (48) をはさみ、六角ナット (47) で固定します。  
トーンアームのリード線は、ガイド部分に通しておきます。(14図)



&lt;14図&gt;

5. センサー P. C. Board を取り付け、ネジ (39) で2ヶ所を固定します。リード線は、ガイドピンに通してボンドで固定します。(15図)



&lt;15図&gt;

6. ソレノイドコイルの端子をセンサー P. C. Board にハンダ付けします。
7. トーンアームのリード線の短かい方の3本をセンサー P. C. Board にハンダ付けします。

Y : 黄色のリード線を付けます。  
センサー P. C. Board V : 紫色のリード線を付けます。  
の表示 G : 灰色のリード線を付けます。

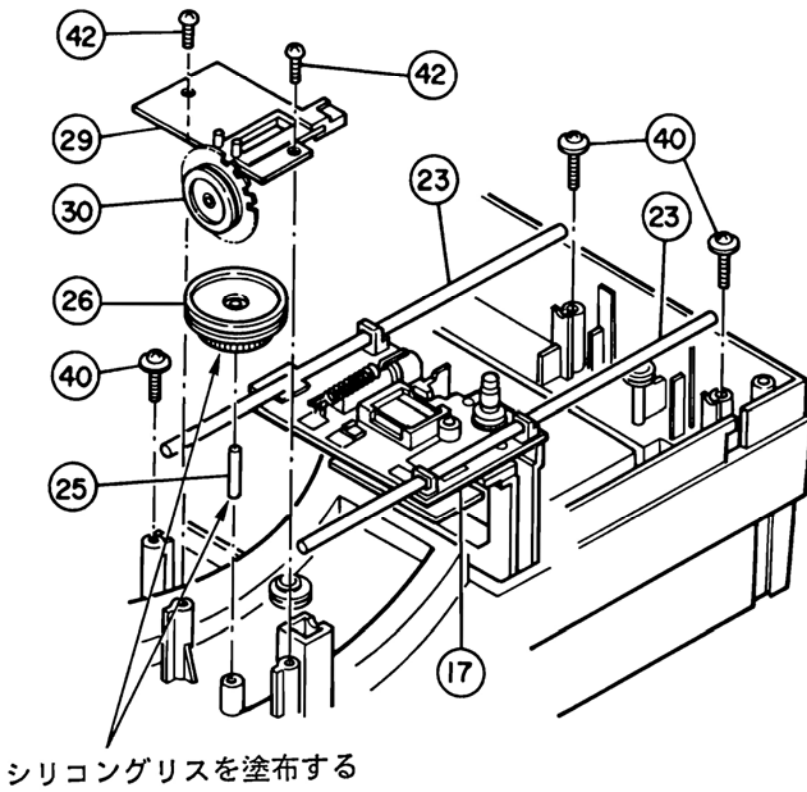
8. シート (22) をセンサー P. C. Board に貼ります。
9. トーンアームの長い方のリード線 (赤、および灰) およびセンサー P. C. Board のリード線は、コントロール P. C. Board に接続します。

(B) ブラケット Ass'y (17) の取り付け方法

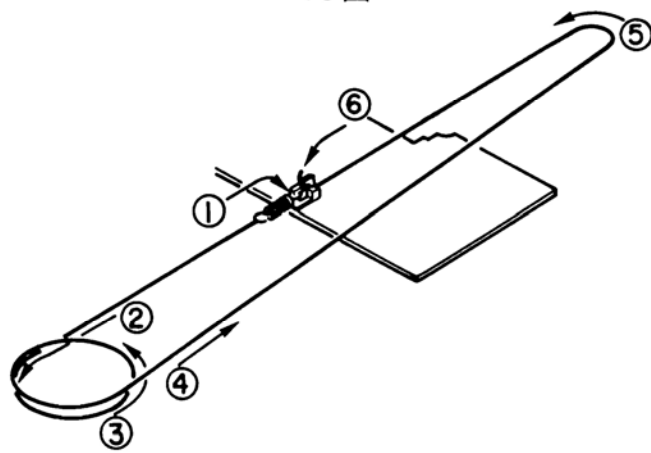
1. トーンアームをキャビネットの切欠部に入れてから2本のレール (23) をブラケット Ass'yに通し、レールをネジ (40) にて固定します。(3ヶ所)
2. キャビネットにシャフト (25) を入れ、ウォームホイールギヤ (26) を取り付けます。  
 注意 シャフト、ウォームホイールギヤのギヤ部分には、シリコングリスを少量塗布しておいて下さい。
3. スtring (28) を17図、18図の順序に従ってかけます。

4. 軸受 Ass'y (29) にウォームギヤ Ass'y (30) を取り付け、ウォームホイールギヤ (26) のギヤ部分と、ウォームギヤ Ass'y (30) のギヤ部分と、ウォームギヤ Ass'y (30) が噛み合うようにして、キャビネットにネジ (42) 2本にて固定します。

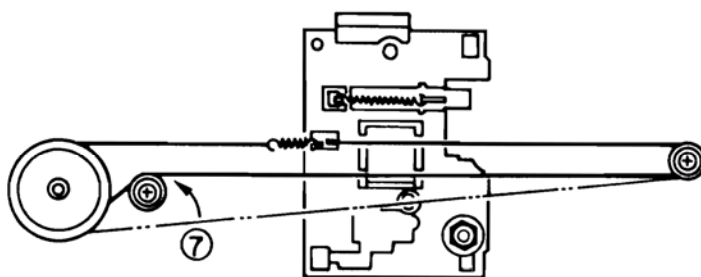
注意 ウォームギヤ Ass'yを軸受 Ass'yに取り付けるときに、ワッシャーが必ずウォームギヤと軸受 Ass'yにあるシャフトホルダー部分との間に入るように注意して下さい。(19図)  
 ウォームギヤには、シリコングリスを少量塗布して下さい。



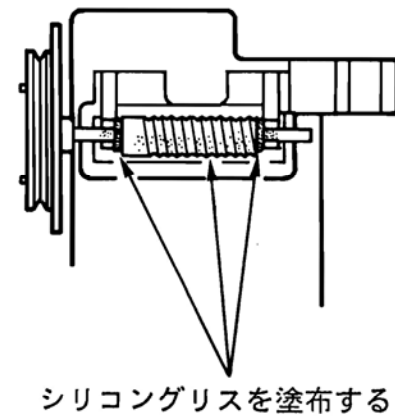
<16図>



<17図>



<18図>

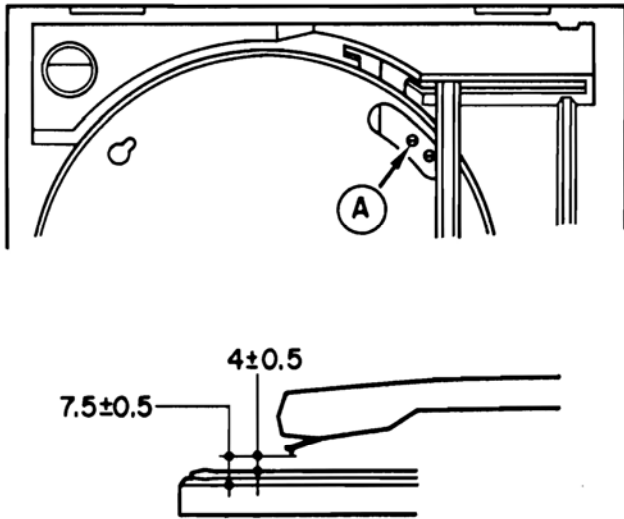


<19図>

## 調整方法

## (A) 針先の高さ調整

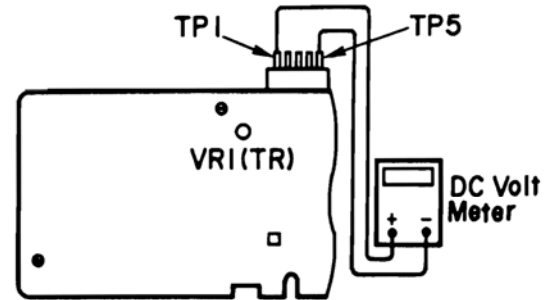
1. 電源SWを入れ、マニュアル操作にて、トーンアームをレコード盤上まで送り、トーンアームがUP状態でのレコード面と針先までの高さを確認します。(ターンテーブルのベルトは、はずしておいて下さい)  
規格値：レコード面より  $4 \pm 0.5\text{mm}$   
調整が必要な場合、以下の要領で調整して下さい。
2. 「PLAY/CUT」ボタンを押し、トーンアームをレストの位置に戻します。
3. レコード、ターンテーブルシートをはずし、ターンテーブルの穴をキャビネット内部の調整穴が見える位置に合わせます。(20図)
4. マニュアル操作にて、トーンアームを送り、ブラケット Ass'y の調整用偏心ピンをキャビネットの調整穴に一致させます。
5. ターンテーブルの調整穴より左側の偏心ピン (A) を回転させて調整します。



&lt;20 図&gt;

## (B) トラッキングエラーの調整

1. 分解方法 (B) に従い、底蓋を外します。
2. テストコネクタを、コントロール P. C. Board のプラグ 5P (CN4) に差し込み、テストコネクタの TP1 と TP5 の間に電圧計 (DC) を接続します。(21 図)



&lt;21 図&gt;

3. レコードを演奏し、途中で CUE ボタンを押し、トーンアームを上昇させます。
4. ⊖ ドライバーで、電圧計が  $0.55 \sim 0.5\text{V}$  を示すように、半固定抵抗 VR1 (TR 表示) を調整しておきます。
5. リードイン検査用のレコード (RG325) を再生し、キューイングずれの量を確認します。

## &lt; 確認方法 &gt;

カウントの入っている部分を初めから再生し、10カウントくらいの位置で CUE ボタンを押し、トーンアームを上昇させます。

再び CUE ボタンを押し、トーンアームが降下した直後のカウント値を確認して下さい。トーンアームの上昇直前の値と、降下直後の値との差がキューイングずれの量となります。規格値：+2～-7 カウント

(例) 上昇直前のカウント値：10

降下直後のカウント値：8

キューイングずれ： $8 - 10 = -2$  となります。

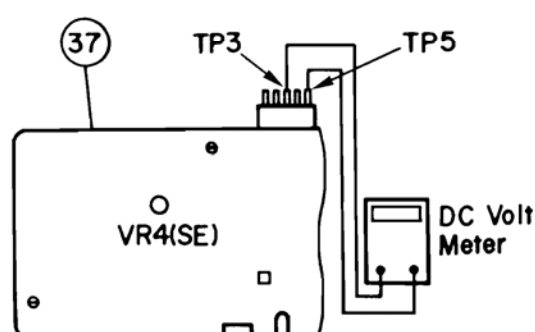
調整の必要が生じた場合、さらに VR1 にて、キューイングずれが少なくなるよう調整して下さい。

(0.1V の変化で、キューイングずれは約 3 カウント変化します)

### (C) レコードセンサーの感度調整

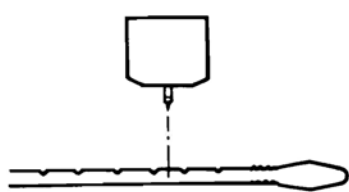
※この調整の前に、針先高さを確認し、規格内に入るように調整をしておいて下さい。

1. 分解方法 (B) に従い、底蓋を外します。
2. テストコネクタをコントロール P. C. Board のプラグ 5P (CN4) に差し込み、テストコネクタの TP3 と TP5 の間に DC 電圧計を接続します。(22 図)



<22 図>

3. ターンテーブルおよびターンテーブルシートをセットし、テストレコード (RG325) をのせ (ターンテーブルのベルトはプーリーから外しておきます) テストレコードの大きいピッチ (5mm ピッチ) の溝と溝の間に針先が位置するように、左送りボタンを押して、トーンアームを移動させます。(23 図)

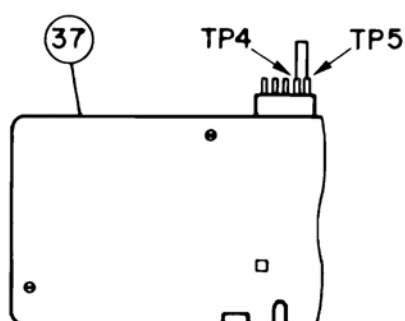


<23 図>

4. ⊖ ドライバーで、電圧計が  $5 \pm 0.4V$  を示すように、半固定抵抗 VR4 (SE 表示) で調整します。

### (D) リードイン位置の確認

1. 電源 SW を切ります。
2. テストコネクタをコントロール P. C. Board のプラグ 5P (CN4) に差し込み、テストコネクタの TP4 と TP5 を短絡します。(24 図)



<24 図>

※TP4 と TP5 の短絡は、マイコンをテストモードにするために行います。テストモードでは 30cm のリードインおよび CUT の操作以外はできません。

3. 電源を入れ、テストレコード (RG325) をのせて、PLAY / CUT ボタンを押し、リードインカウントの値を確認します。

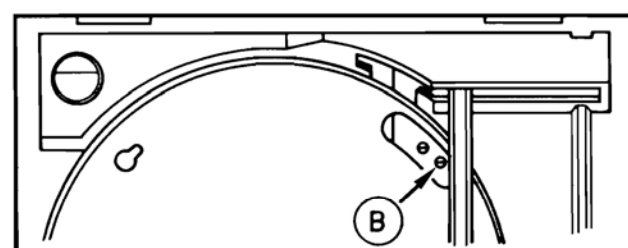
規格値 :  $20 \pm 5$  カウント

ずれている場合、ユニットプレートの調整用偏心ピン (B) を回転させて調整します。(25 図)

調整要領は (A) の 2~5 と同じです。

4. 調整後は、電源 SW を切ってから、テストコネクタを取り外します。

注意 電源 SW を入れたままテストコネクタを取り外した場合、テストモードは解除しないので、通常の演奏をする場合は、必ず、一度電源を切ってから再度電源 SW を入れて下さい。

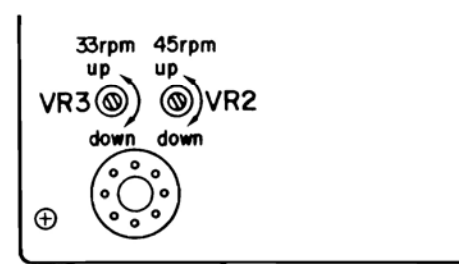


<25 図>

### (E) 回転数の調整

底蓋の穴より、⊖ ドライバーで半固定抵抗 VR2、VR3 を廻して調整を行いますが、下記の手順で行って下さい。

速度切換つまみ (S7) を「45」に切換えて、まず 45rpm の調整を行い、次に「33」に切換えて 33rpm の調整を行なって下さい。



<26 図>

## トラブルシューティング

### 1. リードインせず、リターンしてしまう。

調整方法 (D) によりリードインカウントを確認して下さい

- カウントがずれている：調整方法 (D) に従って再調整して下さい。
- カウントが入っている：IC3の12番ピンの電圧を確認して下さい。レコードをセットし、トーンアームを左へ送り、レコード盤上でIC3の12番ピンの電圧が変化するかどうか確認します。
- 変化しない：トーンアームのレコードセンサー不良です。トーンアームを交換して下さい。
- 変化する：調整方法 (C) のレコードセンサーの感度を確認して下さい。

#### レコードセンサーの感度の確認

- 感度の電圧値がずれている：カートリッジ先端のレコードセンサー部分のフィルターがホコリで汚れているか、調整がずれています。カートリッジのスタイラスをはずし、センサー部分のフィルターを拭いて下さい。さらに電圧がずれている場合、調整方法 (C) に従って再調整して下さい。
- 感度の電圧値は合っている：IC3の不良。  
注意 リードイン部が汚れていたり、傷があったりして、反射の低いレコードは、オートリードインしませんので手でリードインさせて下さい。

### 2. リードインせず、リターンもしない。

プレーヤーを動作させ、コントロールP. C. BoardのJP1の3番側の電圧をオシロスコープで観測して下さい。

- パルス (0V~12V) が発生：Q17又は、IC2不良、或いは、ミニSW (S301) のショートです。
- パルスが発生しない：フォトユニットの不良、又は、ジャンパー (JP1) の断線です。
- パルスの電圧が低い：電源電圧を確認して下さい。

### 3. リードインするが、トーンアームは降下しない。

トーンアームをレコード盤にリードインさせ、トーンアームがレコード盤の上方で止った後のプラグ7P (CN1) の1番側の電圧を確認して下さい。

- 0V：Q5又は、Q4の不良、或いは、ソレノイドコイルの不良です。
- 7V：スプリング (21) が外れている、又は、リフターアーム (18) の回転不良です。

### 4. リードイン時、レコード盤の外へ降下する。

調整方法 (C)・(D) で、レコードセンサーの感度とリードイン位置の確認を行って下さい。

- 調整がずれている：調整方法 (C)・(D) に従って、再調整を行いません。
- 調整は合っている：外光が強過ぎる、又は、IC3の不良です。

### 5. 針先降下位置が、内側、又は、外側に寄ってしまう。

調整方法 (D) のリードイン位置を再調整して下さい。

### 6. 針先がレコードの音溝をひっかけて上昇する。

調整方法 (B) に従い、トラッキングエラーを確認し再調整して下さい。

### 7. トーンアーム降下後、針が斜めに降下する。

リフターアーム (18) の変形を調べて下さい。

- 変形している：リフターアームを交換して下さい。
- 変形していない：トーンアームのリード線が張っているのでゆるめて下さい。

### 8. スピーカーから音が出ない。

出力コード (E301) のプラグの信号側とアース側の抵抗値を測定して下さい。

- 0Ω：コントロールP. C. Boardの回路又は、出力コードのショート、或いは、Q11、Q12の不良です。
- 導通なし：音声出力回路、又は、シールド線の断線、カートリッジの不良です。

### 9. 針先がUPしている時に、ミュートングが働かない。

IC1の10番ピンの電圧が針先UP時5V、DOWN時0Vに変化するか確認して下さい。

- 変化する：Q11又は、Q12不良、或いは、アース線がアンプに接続されていません。
- 変化しない：IC1の不良です。

### 10. 針先が降下後、内側へ移動しない。

IC3の3番ピンの電圧が、レコード盤を演奏すると変化するか確認して下さい。

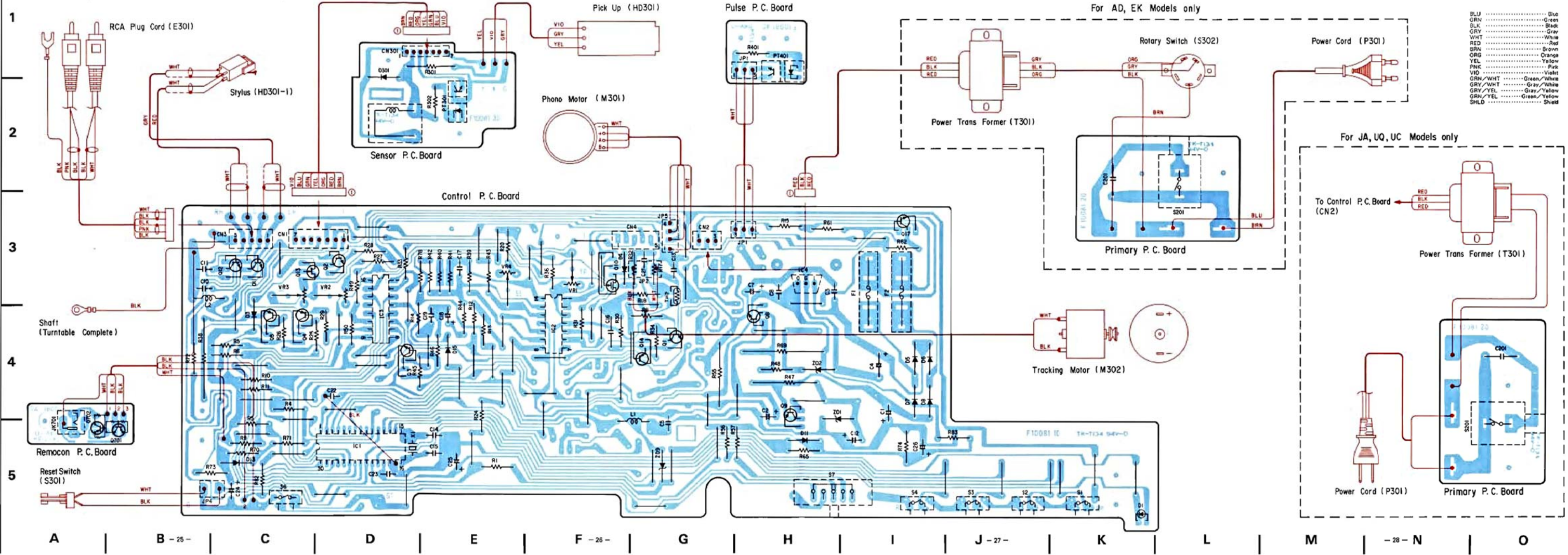
- 変化する：IC3又は、Q10の不良です。
- 変化しない：フォトユニットの不良、又は、コネクタ7P Ass'y (CN301) の断線です。



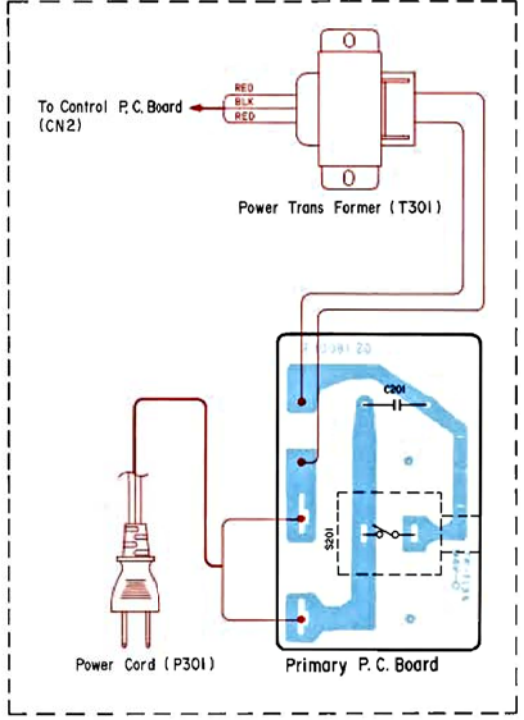
Parts Layout on P.C. Boards and Wiring Diagram

P-007 P-007

P-007 P-007



For JA, UQ, UC Models only

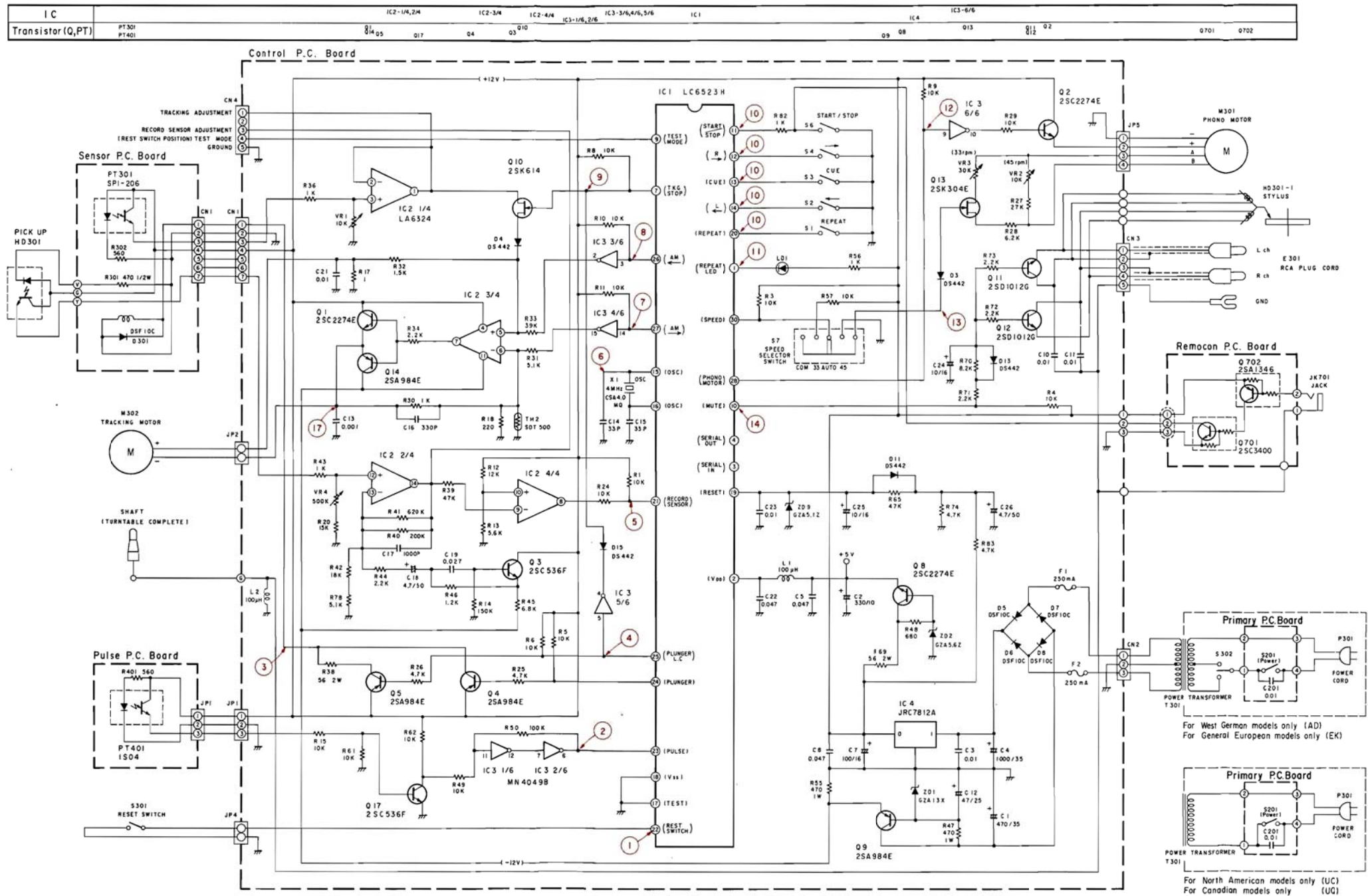


- 28 -

# Schematic Diagram

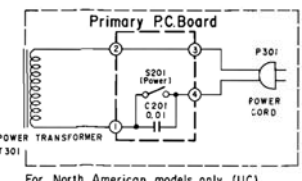
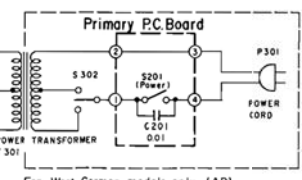
P-007 P-007

P-007



Measuring Points

No.	Measuring Values and Wave Shape	Unit
1	When PL is in arm rest :	0V
2	When PL is off from arm rest (Playing) :	5V
3	When PL shifts :	5V
4	When PL is up :	0V
5	When PL is down :	7V
6	When PL is up :	12V
7	When PL is down :	0V
8	When PL shifts :	12V
9	When PLER SW is ON :	0V
10	When PL moves to right :	0V
11	When PL stops to right :	12V
12	When PL moves to left :	0V
13	When PL stops to left :	12V
14	When PL is up :	0V
15	When PL is down :	12V
16	While tact SW (S1~S3) is being pushed :	0V
17	When tact SW (S1~S3) is not pushed :	5V
18	When repeat LED is ON :	0V
19	When repeat LED is OFF :	12V
20	When turn table rotates :	0V
21	When turn table stops :	12V
22	45 rpm :	0V
23	33 rpm :	12V
24	When muting is ON :	0V
25	When muting is OFF :	5V
26	When PL stops :	0V
27	When PL starts :	0.5V
28	When PL is fed to left :	3V
29	When PL is fed to right :	-3V



NOTES:  
1. All resistance values are in ohms, K = 1,000  
2. All capacitance values are in microfarads, P = 1,000,000

1

2

3

4

5

A | B-29- | C | D | E | F-30- | G | H | I | J-31- | K

# Electrical Parts List

Resistor : Carbon resistors under 1/4 watts are not mentioned in the parts list, please confirm them by schematic diagram.  
 uF=microfarads, pF=picofarads

Abbreviations				
RES.=Resistor	CAP.=Capacitor			
C.F.=Carbon Film	ELY.=Electrolytic			
M.F.=Metal Film	CER.=Ceramic			
M.O.=Metal Oxide Film	MYL.=Mylar			
M.P.=Metal Plate	TAN.=Tantalum			
TR.=Transistor	POLY.=Polystyrol			
TRANS.=Transformer	PP.=Polypropylene			
CP.=Chip	PLT.=Polyethylene			
Symbol No.	Part No.	Description		
Control P. C. Board				
IC's				
IC1	51E05299S01	LC6523H		
IC2	51E05300S01	LA6324		
IC3	51E05301S01	MN4049B		
or	51E07980S01	MSM4049RS		
IC4	51E05302S01	NJM7812A		
Transistors				
Q1	48T47146F02	2SC2274E		
Q2	48T47146F02	2SC2274E		
Q3	48T47143F03	2SC536F		
Q4	48T47148F02	2SA984E		
Q5	48T47148F02	2SA984E		
Q8	48T47146F02	2SC2274E		
Q9	48T47148F02	2SA984E		
Q10	48T80991F01	FET., 2SK614		
Q11	48E05308S01	2SD1012G		
Q12	48E05308S01	2SD1012G		
Q13	48E05309S01	FET., 2SK304E		
Q14	48T47148F02	2SA984E		
Q17	48E05305S03	2SC536F		
Diodes/LED				
D3	48T51881F01	DS442		
D4	48T51881F01	DS442		
D5	48E05297S01	DSF10C		
D6	48E05297S01	DSF10C		
D7	48E05297S01	DSF10C		
D8	48E05297S01	DSF10C		
D11	48T51881F01	DS442		
D13	48T51881F01	DS442		
D15	48T51881F01	DS442		
ZD1	48E07977S01	Zener, GZA13X		
Symbol No.	Part No.	Description		
ZD2	48E07978S01	Zener, GZA5.6Z		
ZD9	48E07979S01	Zener, GZA5.1Z		
LD1	48E05298S01	LED		
Switches				
S1	40E05294S01	Touch (REPEAT)		
S2	40E05294S01	Touch (FF)		
S3	40E05294S01	Touch (CUE)		
S4	40E05294S01	Touch (REW)		
S6	40E05294S01	Touch (START/STOP)		
S7	40E05295S01	Slide (SPEED SELECTOR)		
Thermister/Coils				
TH2	48E05312S01	Thermister, SDT-500		
L1	24E05303S01	Choke, Coil 100 μ H		
L2	24E05303S01	Choke, Coil 100 μ H		
Crystal/Fuses				
X1	91E05296S01	Ceramic, OSC 4MHz		
▲ F1	65E08352S01	Fuse, 250mA		
■ F1	65E08352S01	Fuse, 250mA		
▲ F2	65E08352S01	Fuse, 250mA		
■ F2	65E08352S01	Fuse, 250mA		
Capacitors				
C1	23E07962S01	ELY., 470 μ F/35V		
C2	23E07963S01	ELY., 330 μ F/10V		
C3	08E07964S01	CER., 0.01 μ F		
C4	23E07965S01	ELY., 1000 μ F/35V		
C5	08E07966S01	CER., 0.047 μ F		
C7	23E07967S01	ELY., 100 μ F/16V		
C8	08E07966S01	CER., 0.047 μ F		
C10	08E07964S01	CER., 0.01 μ F		
C11	08E07964S01	CER., 0.01 μ F		
C12	23E07968S01	ELY., 47 μ F/25V		
C13	08E07969S01	CER., 1000pF		
C14	21E07970S01	CER., 33pF		
C15	21E07970S01	CER., 33pF		
C16	21E07971S01	CER., 330pF		
C17	08E07969S01	CER., 1000pF		
C18	23E07972S01	ELY., 4.7 μ F/50V		
C19	08E07973S01	POLY., 0.027 μ F		
C21	08E07974S01	CER., 0.01 μ F		
C22	08E07966S01	CER., 0.047 μ F		
C23	08E07964S01	CER., 0.01 μ F		

Notes : ▲ : For West German model only (AD), ■ : For General European model only (EK), Others : Common.

Symbol No.	Part No.	Description			Symbol No.	Part No.	Description		
● C24	23E07975S01	ELY., 10 μ F/16V			Miscellaneous				
▲ C24	23E07976S01	ELY., 10 μ F/16V			C201	23E07981S01	CP., 0.01 μ F		
■ C24	23E07976S01	ELY., 10 μ F/16V			E301	28E05287S01	Plug, Cord RCA		
★ C24	23E07975S01	ELY., 10 μ F/16V			HD301	01E05270S01	Assy., Pick-Up		
◆ C24	23E07975S01	ELY., 10 μ F/16V			HD301-1	88E05603S01	Stylus		
● C25	23E07975S01	ELY., 10 μ F/16V			M301	59E05284S01	Assy., Motor (PHONO)		
▲ C25	23E07976S01	ELY., 10 μ F/16V			M302	59E05290S01	Assy., Motor (TRACKING)		
■ C25	23E07976S01	ELY., 10 μ F/16V			● P301	28E05288S01	Power, Cord		
★ C25	23E07975S01	ELY., 10 μ F/16V			▲ P301	28E05288S03	Power, Cord		
◆ C25	23E07975S01	ELY., 10 μ F/16V			■ P301	28E05288S03	Power, Cord		
C26	23E07972S01	ELY., 4.7 μ F/50V			★ P301	28E05288S02	Power, Cord		
Resistors					◆ P301	28E05288S02	Power, Cord		
R38	06E05310S01	56 ohm 2W			PT401	48E05318S01	Transistor, Photo GP1S04		
R47	06E05311S01	470 ohm 1W			S301	40E05286S01	Leaf, Switch (RESET)		
R55	06E05311S01	470 ohm 1W			▲ S302	40E07957S01	Rotary, Switch		
R69	06E05310S01	56 ohm 2W			■ S302	40E07957S01	Rotary, Switch		
VR1	18E05313S01	Volume, 10k ohm			S201	40E05314S01	Switch, Push (Power)		
VR2	18E05313S01	Volume, 10k ohm			● T301	25E05285S01	Trans, Power		
VR3	18E05313S02	Volume, 30k ohm			▲ T301	25E05285S03	Trans, Power		
VR4	18E05313S03	Volume, 500k ohm			■ T301	25E05285S03	Trans, Power		
Sensor P. C. Board					★ T301	25E05285S02	Trans, Power		
Transistor/Diode					◆ T301	25E05285S02	Trans, Power		
PT301	48E05316S01	PT., SP1206							
D301	48E05315S01	Diode, DSF10C							
Resistor									
R301	06E05317S01	470 ohm 1/2W							
Remocon P. C. Board									
Transistors/Jack									
Q701	48E05320S01	TR., 2SC3400							
Q702	48E05321S01	TR., 2SA1346							
JK701	09E05319S01	Jack							

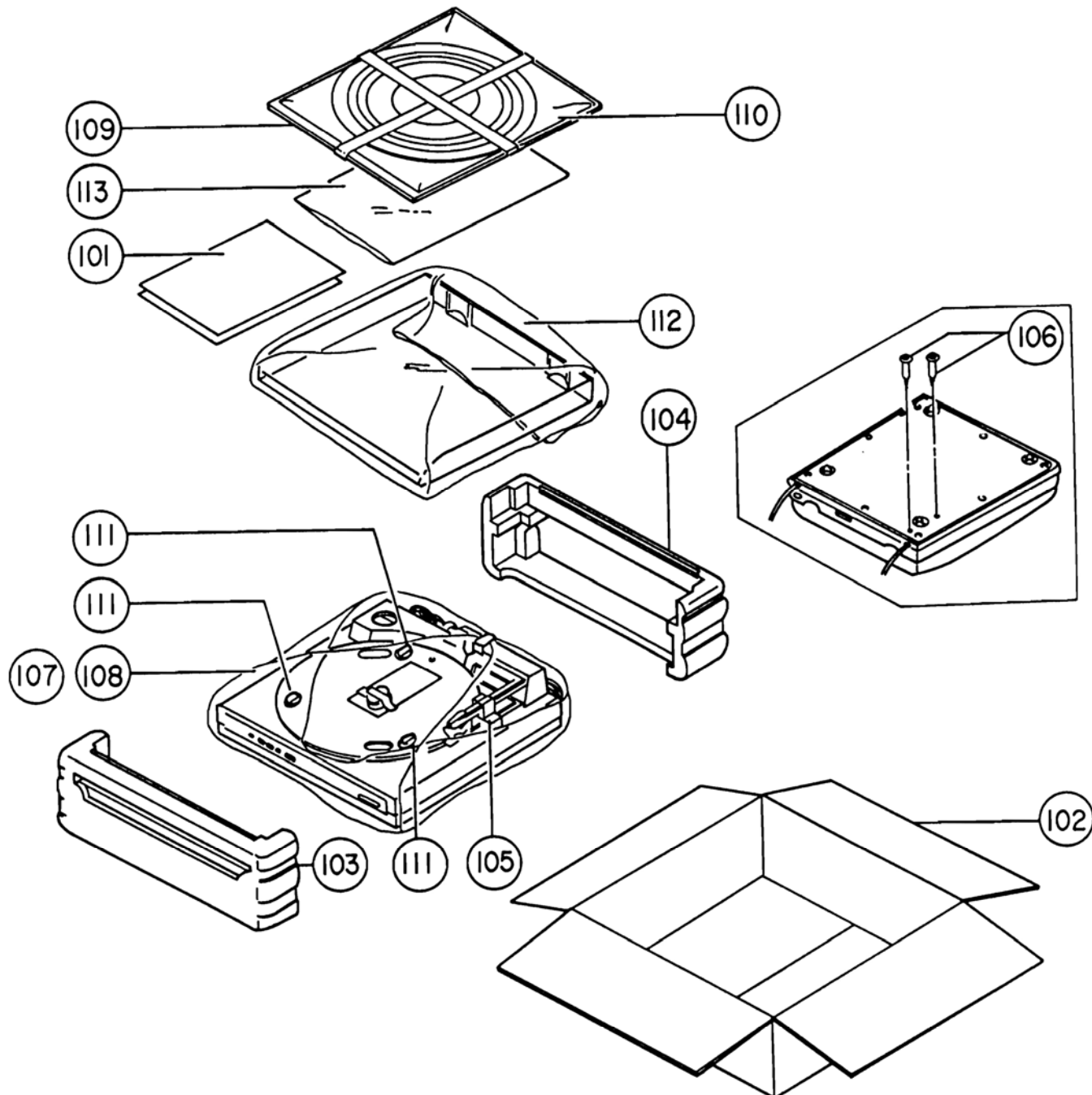
Notes : ● : For Japanese model only (JA), ▲ : For West German model only (AD),  
 ■ : For General European model only (EK), ★ : For Canadian model only (UQ),  
 ◆ : For North American model only (UC), Others : Common.

## Packing Assembly Parts List

Symbol No.	Part No.	Description			Symbol No.	Part No.	Description		
●	101	68P96552F40	Owner's, Manual		108	56E05328S01	Sheet cabinet, Packing		
▲	101	68P96552F58	Owner's, Manual		109	56E05329S01	Pad, TT Sheet		
■	101	68P96552F58	Owner's, Manual		110	56E05330S01	Poly, Cover		
★	101	68P96552F60	Owner's, Manual		111	56E05331S01	Spacer, TT Clamp		
◆	101	68P96552F60	Owner's, Manual		112	56E05332S01	Poly-exp Bag, Lid		
●	102	56E05322S01	Carton, Packing		113	56E07983S01	Bag, Fan		
▲	102	56E07982S01	Carton, Packing						
■	102	56E07982S01	Carton, Packing						
★	102	56E07982S01	Carton, Packing						
◆	102	56E07982S01	Carton, Packing						
	103	56E05323S01	Pad, Front						
	104	56E05324S01	Pad, Rear						
	105	56E05325S01	Pad, Pick-Up Clamp						
	106	03E05326S01	Screw, Transit						
	107	56E05327S01	Polyethylene Sheet Cabinet						

Notes : ● : For Japanese model only (JA), ▲ : For West German model only (AD),  
 ■ : For General European model only (EK), ★ : For Canadian model only (UQ),  
 ◆ : For North American model only (UC), Others : Common.

## Packing Method View



# Cabinet Assembly Parts List

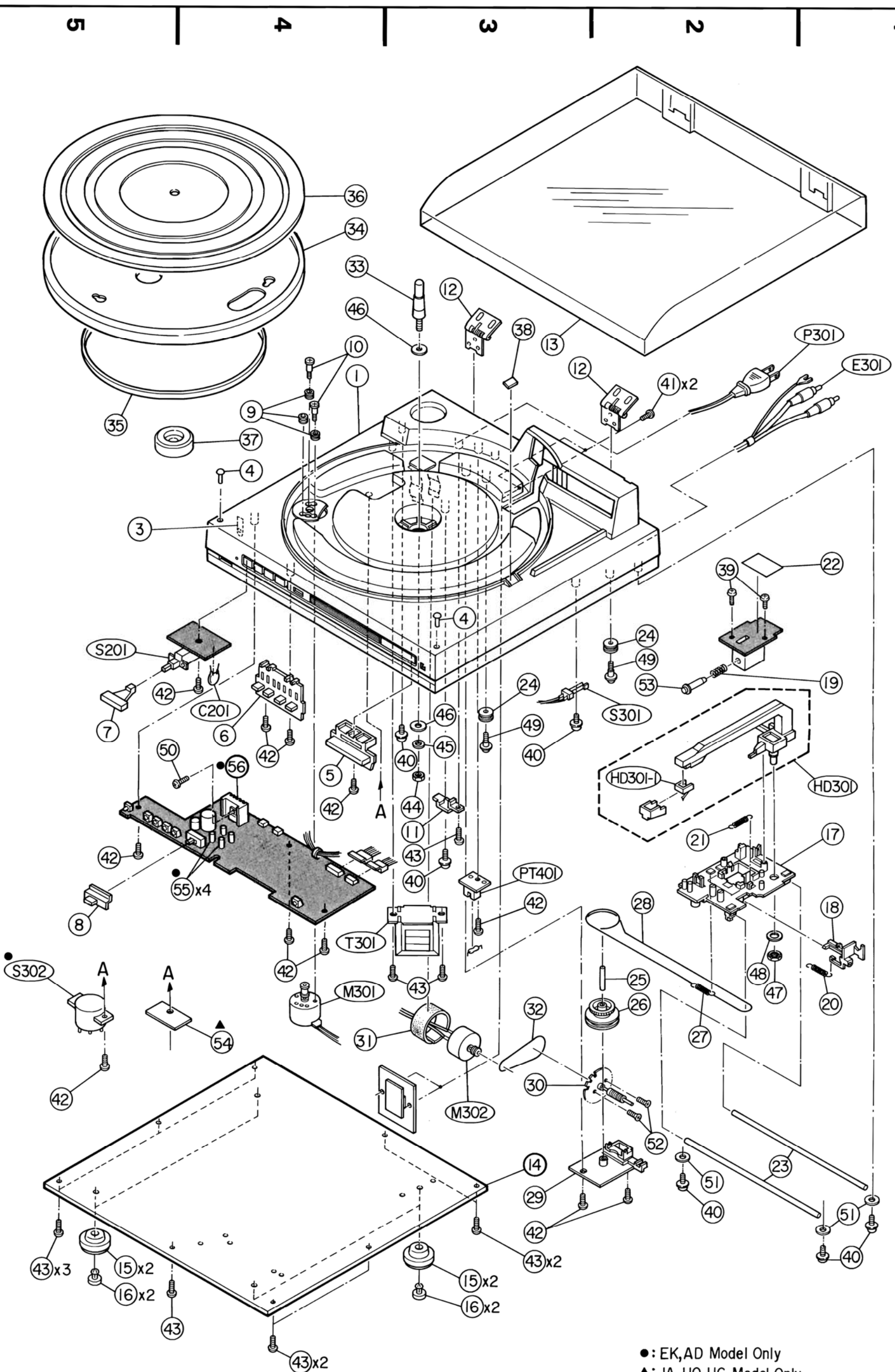
NOTE : The parts without part numbers are not supplied.

Symbol No.	Index	Part No.	Description	Symbol No.	Index	Part No.	Description
1	4-B	16E05250S01	Cabinet	39	2-C	03E07984S01	Screw, Tapping (M3 × 8))
3	5-C	61E05252S01	Indicator	40		03E07985S01	Screw, Tapping (M3 × 10)
4		75E05253S01	Pad, Lid	41	2-B	03E07986S01	Screw, Tapping (M3 × 8)
5	4-E	36E05254S01	Knob, Start/Stop	42		03E05334S01	Screw, Tapping (M3 × 8)
6	4-D	36E05255S01	Knob	43		03E05334S02	Screw, Tapping (M3 × 12)
7	5-D	36E05256S01	Knob, Power	44	3-E	02E05335S01	Nut, Hex. (M4)
8	5-E	36E05257S01	Knob, Speed Select	45	3-D	04E05336S01	Washer, Spring (M4)
9	4-C	75E05258S01	Cushion, Rubber	46		04E05337S01	Washer
10	4-B	03E05259S01	Screw, Motor	47	2-F	02E05338S01	Nut
● 11	3-E	42E07954S01	Clamp, Wire	48	2-F	04E05339S01	Washer
▲ 11	3-E	42E07954S02	Clamp, Wire	49	2-D	03E07987S01	Screw, Tapping
■ 11	3-E	42E07954S02	Clamp, Wire	50	5-D	03E07988S01	Screw, Tapping (M3 × 6)
◆ 11	3-E	42E07954S01	Clamp, Wire	51		04E07989S01	Washer
★ 11	3-E	42E07954S01	Clamp, Wire	52	2-F	02E07990S01	Nut
12		07E05260S01	Hinge	53	2-D	47E05289S01	Plunger
13	3-B	15E05261S01	Lid	● 54	4-F	07E08348S01	Metal Mount
15		75E05263S01	Cushion, Leg	★ 54	4-F	07E08348S01	Metal Mount
16		22E05264S01	Pin, Leg	◆ 54	4-F	07E08348S01	Metal Mount
17	1-E	01E05265S01	Assy., Plate Unit	▲ 55	4-E	09E08351S01	Fuse, Holder
18	1-E	45E05266S01	Lifter, Arm	■ 55	4-E	09E08351S01	Fuse, Holder
19	1-D	41E05267S01	Spring				
20	1-F	41E05268S01	Spring, L Arm				
21	2-E	41E05269S01	Spring, L Arm				
22	1-C	14E07955S01	Cloth				
23	2-G	47E07956S01	Rail				
24		49E05271S01	Pulley				
25	2-F	47E05272S01	Shaft				
26	2-F	44E05273S01	Worm, Wheel				
27	2-F	41E05274S01	Spring				
28	2-E	30E05275S01	Rope				
29	3-G	01E05276S01	Assy., Bearing				
30	3-F	44E05277S01	Assy., Worm				
31	4-F	75E05278S01	Cushion				
32	3-F	42E05279S01	Belt				
33	4-B	47E05280S01	Turntable complete, Shaft				
34	4-B	15E05281S01	Turntable				
35	5-C	42E05282S01	Belt				
● 36	4-A	75E05291S01	Turntable, Sheet				
▲ 36	4-A	75E05291S01	Turntable, Sheet				
■ 36	4-A	75E05291S01	Turntable, Sheet				
★ 36	4-A	75E05291S02	Turntable, Sheet				
◆ 36	4-A	75E05291S02	Turntable, Sheet				
37	4-C	45E05292S01	45 Adapter				
38	3-B	75E05293S01	Cushion				

Notes : ● : For Japanese model only (JA), ▲ : For West German model only (AD),  
 ■ : For General European model only (EK), ★ : For Canadian model only (UQ),  
 ◆ : For North American model only (UC), Others : Common.

Exploded View (Cabinet)

P-007 P-007



●: EK,AD Model Only  
 ▲: JA, UQ, UC Model Only  
 Others: Common

A  
 B - 36 -  
 C  
 D  
 E  
 F - 37 -  
 G  
 H

5  
 4  
 3  
 2  
 1

***inside Back Cover***





# **LUX CORPORATION, JAPAN**

1-8, 1-Chome, Nishigotanda, Shinagawa-ku, Tokyo 141 Japan  
Phone: 03-493-4381 Facsimile: 03-494-8426

5/90-S

68P30536W01

Printed in Japan